

NOMENCLATURE

2008 TECHNICAL REGULATIONS

Parts for the FORMULA RENAULT 2.0 single-seaters are represented in this nomenclature and split into three categories:

CATEGORY "A"	No modifications are authorised. The parts in this category must remain in their original positions and fulfil the function/s for which they were originally intended. These parts must be genuine FORMULA RENAULT 2.0 parts.
CATEGORY "B"	Only the modifications or prescriptions indicated in the regulations or in the FORMULA RENAULT 2.0 nomenclature are authorised.
CATEGORY "C"	The parts classed in this category are considered to be unrestricted, on the express condition that the function for which it was originally designed is not deviated from, that it does not fulfil any additional function and that it is located in the same place as the original part. Adapted parts are permitted but must be submitted for approval to the RENAULT SPORT Scrutineers.

The set of items or subassemblies that make up a part or assembly are deemed to belong to the same category as the part or assembly in question.

Scrutineering may consist of comparing the part to be checked against a similar new genuine FORMULA RENAULT 2.0 part.

All parts not shown in the technical regulations are systematically classed in category "A" unless specified otherwise above.

The pictures published in this document only aim at making the nomenclature easier to understand. These pictures cannot be used for any comparison with original vehicle parts.

Some parts from the A and B category present a special mark (hologram, engraving). The presence of this mark guarantees the origin of the part and their use is mandatory. The absence of a mark is a technical non conformity.

NOMENCLATURE

2008 TECHNICAL REGULATIONS

Nuts, screws, bolts, and uniballs

Nuts, screws, bolts and uniballs are in the category C unless mentioned in the nomenclature. However, the following must be respected:

- the original diameters,
 - the original screw thread,
 - the material should be steel of equal or superior quality as that of the original part.
- The use of other materials (e.g., titanium) is forbidden.

Any type of screw (stud, bolt or standard screws) is allowed, unless mentioned in the nomenclature.

To assure the tightness of the screws, the use of locking wire is permitted,

All the screws that have the function of setting-up an element are in category "A" unless other mention in the nomenclature.

Electrical loom

All the electrical looms belong to category "B" and must be genuine. The loom may be protected by non-retractable sheathes.

Protections

It is allowed to add protection of any kind over the mechanical elements of the car unless specifically mentioned in the nomenclature. These protections must have the sole function of protecting the elements.

For the driver wellness, it is allowed to add protections in the cockpit, these protections must be removed fast without tool.

Bodywork

Only in order to manage correct assembly and adjustment of the bodywork part, it is allowed to slightly modify the bodywork parts and their respective supports.

These modifications are submitted to the approved by RENAULT SPORT technical scrutineers.

NOMENCLATURE 2008 TECHNICAL REGULATIONS

BODYWORK, WINGS, ROLL HOOP, ENGINE EQUIPMENT

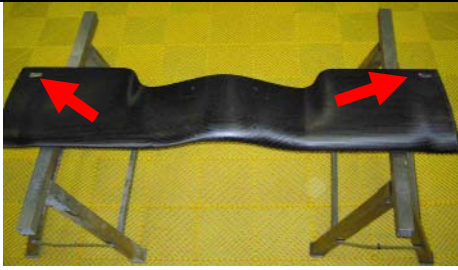


Component parts of the bodywork, wings, roll hoop and some engine equipment parts are identified by one or more hologram stickers.





Their presence is mandatory. The person competing is responsible for the condition of the stickers. They must be visible.

All the bodywork parts and the tub can be painted or decorated with adhesive film.



Description of the parts with the location and number of hologram stickers are indicated by arrows.

		
Nose : 1 sticker	Nose : 1 sticker	Front cover : 1 sticker

		
Front wing : 2 stickers	Front wing side plate : 1 sticker	Front wing flap : 1 sticker

			
Tub : 1 sticker	Roll hoop : 1 sticker	Air intake : 1 sticker	Air box : 1 sticker

NOMENCLATURE 2008 TECHNICAL REGULATIONS

	
Front floor : 4 stickers	Rear floor : 4 stickers

		
Deviator : 1 sticker	Rear floor cup : 1 sticker	Front wood : 1 sticker

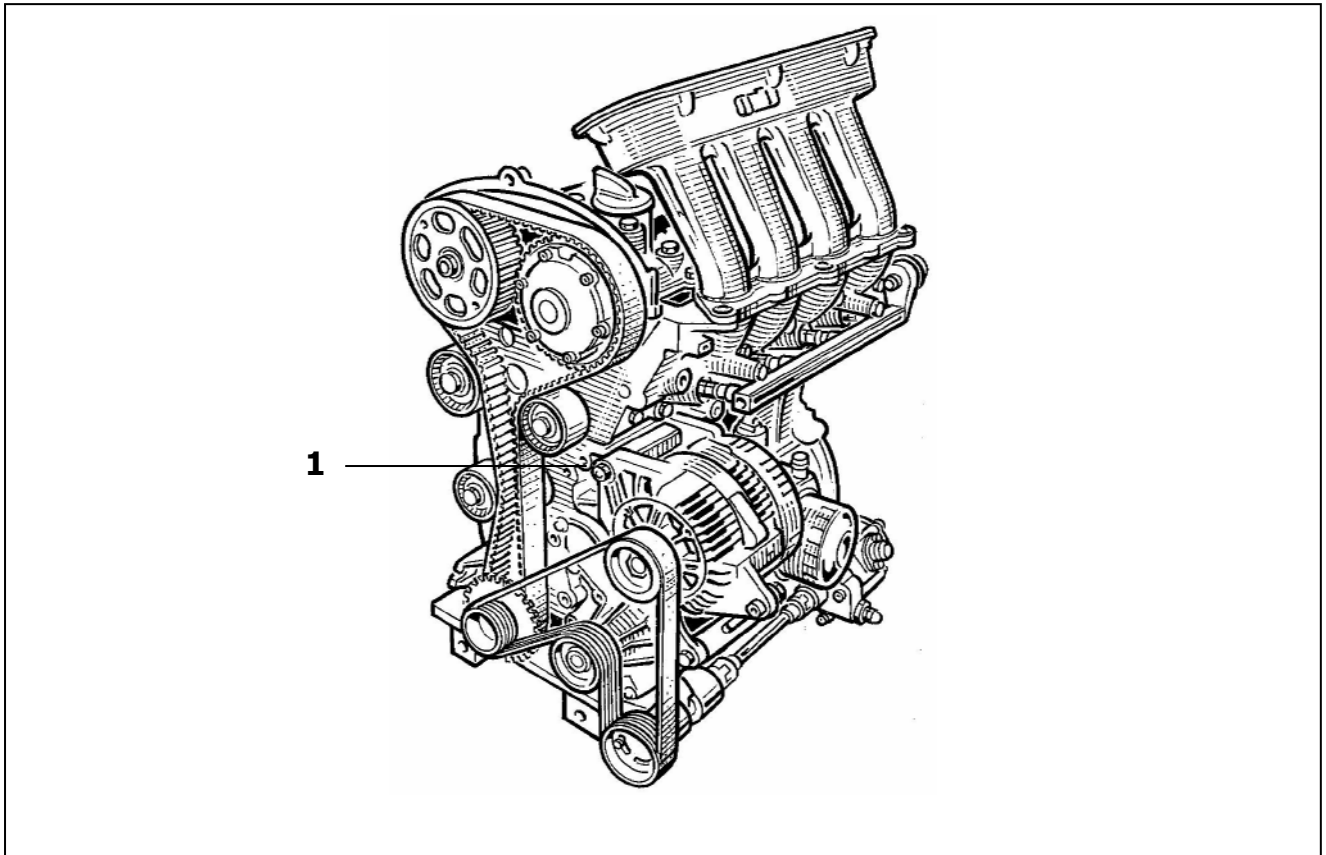
		
Medium wood : 1 sticker Rear wood : 1 sticker	Side pod : 1 sticker	Tyre ramp : 1 sticker

		
Radiator duct : 1 sticker	Chimney : 1 sticker	Barge board : 1 sticker

		
Rear wing : 1 sticker	Rear wing side plate : 1 sticker	Engine cover : 1 sticker

NOMENCLATURE 2008 TECHNICAL REGULATIONS

ENGINE



	A	B	C	
1		X		77 11 154 966

1B : Engine

The engine bears four seals and one tag :

- on the engine sump
- on the ignition target
- on the oil pump
- on the camshaft blanking caps

A microchip is in place on the cylinder head, flywheel side.

Seals must remain in place. It is forbidden to carry out any work on the engine.

WARNING : competitors are responsible for the condition of seals.

The engine lubricant used must absolutely respect the following criterion:

Grade : 50

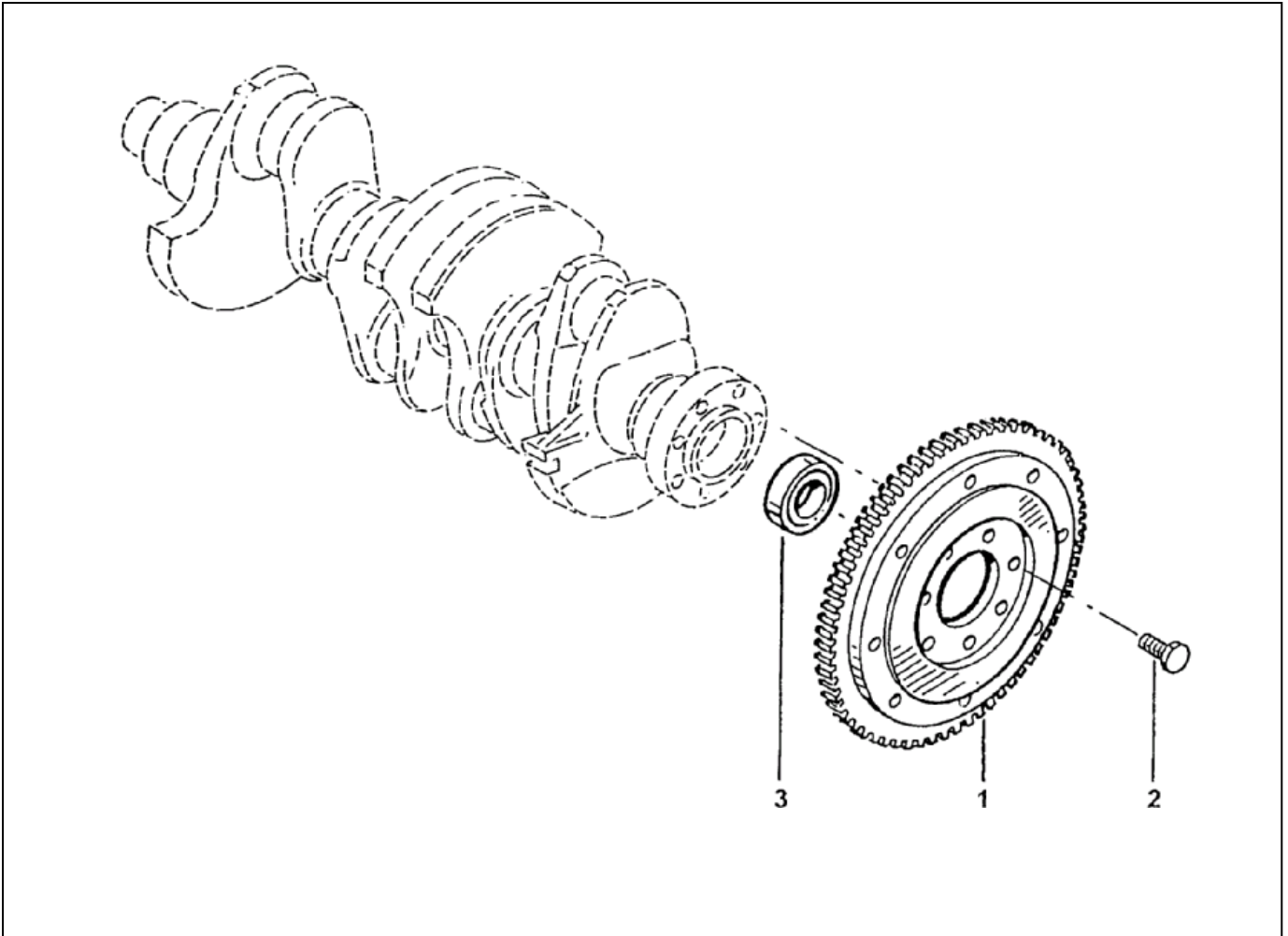
No additive is allowed.

Every engine must be tested on the dyno in order to control its performance and the installation of the 2008 seals as well as the microchip. The motorist named by Renault Sport will be responsible for the dyno test.

If this article is not respected, it will be considered as a technical non conformity.

NOMENCLATURE 2008 TECHNICAL REGULATIONS

ENGINE FLYWHEEL



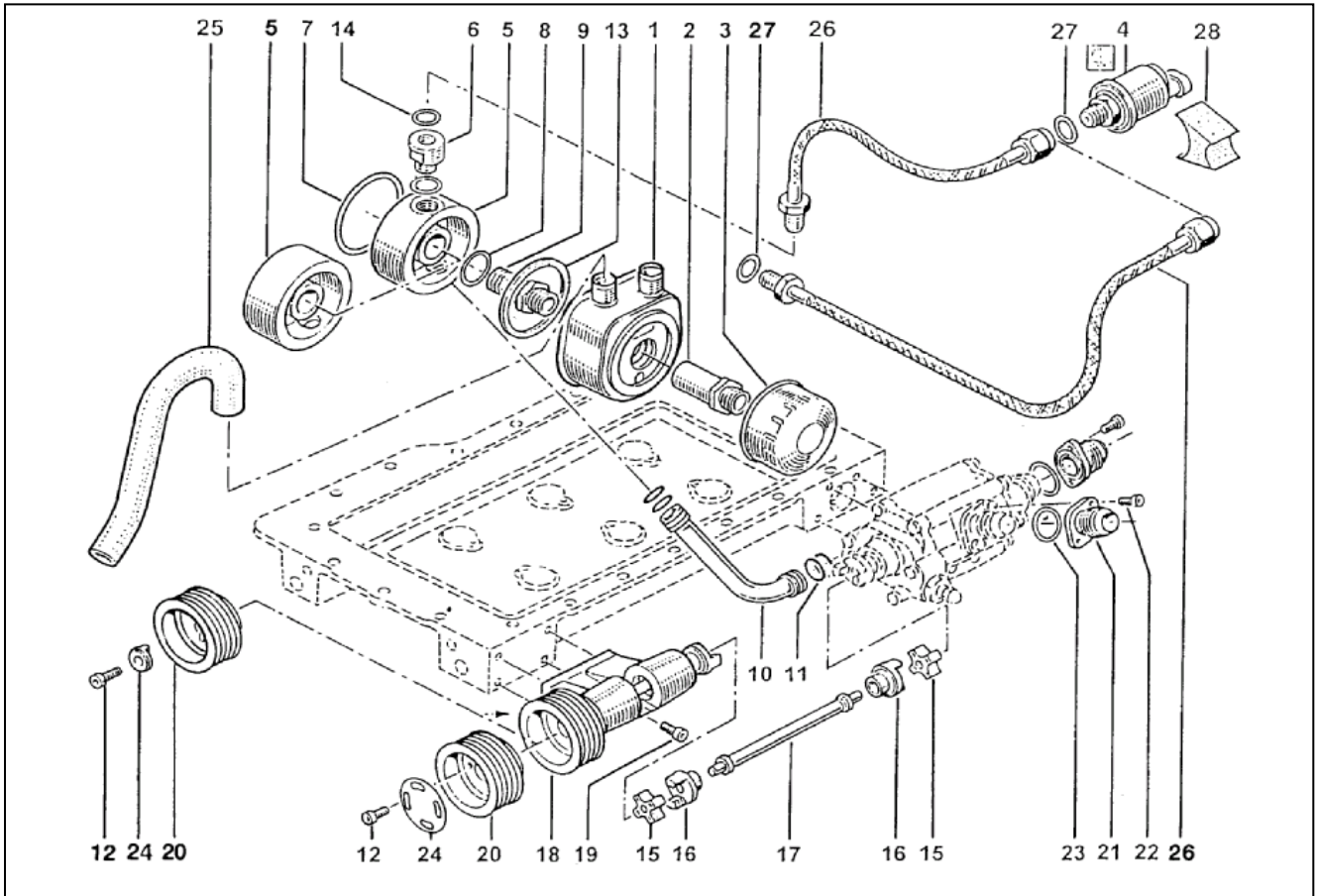
	A	B	C	
1		X		77 11 154 108
2	X			77 11 154 202
3	X			77 03 090 115

1B : Engine flywheel

Minimum weight: 2050g without fixation screws and taking into account the clutch surface wear.

NOMENCLATURE 2008 TECHNICAL REGULATIONS

OIL SYSTEM



	A	B	C	
1	X			77 11 150 688
2	X			77 00 748 231
3	X			82 00 033 408
4	X			77 11 153 990
5		X		77 11 154 244 77 11 154 293
6	X			
7			X	77 11 154 245
8			X	77 11 154 246
9	X			77 11 154 243
10	X			77 11 154 229
11			X	77 11 154 230
12			X	77 11 154 292
13			X	77 00 709 470
14			X	77 11 154 198

	A	B	C	
15	X			77 11 154 227
16	X			77 11 154 235
17	X			77 11 154 236
18	X			60 00 072 492
19			X	77 11 158 344
20	X			77 11 154 290
21	X			77 11 154 239
22			X	77 11 050 730
23			X	77 11 150 031
24		X		77 11 154 241 77 11 154 242
25			X	77 11 154 249
26		X		77 11 154 264 77 11 154 289
27			X	77 11 154 265
28			X	77 11 154 266

5B : Oil filter support bracket

Two types of support bracket are authorized.

24B : Pulley mounting cover

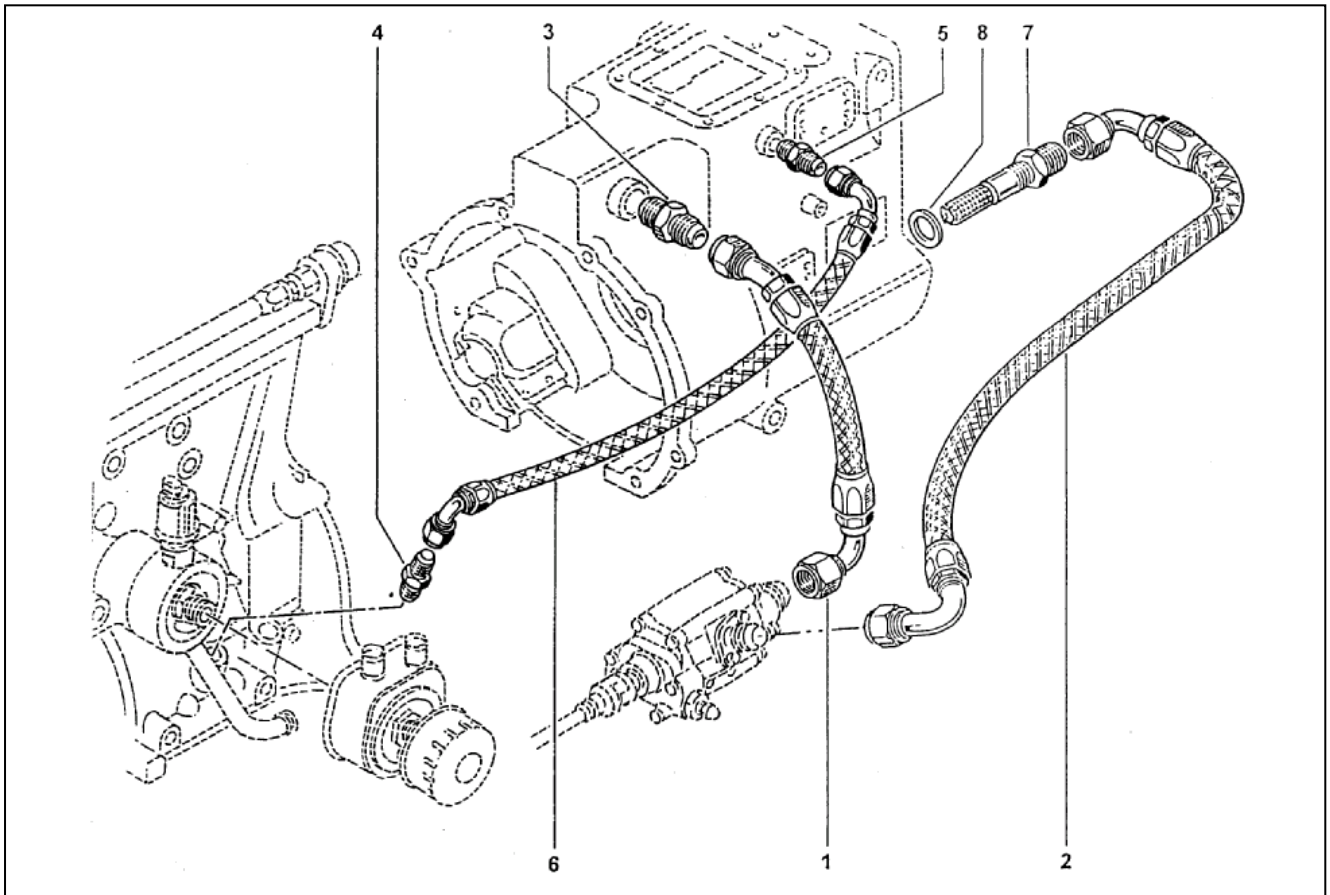
Two types of cover are authorized.

26B : Oil pressure pipe

Two types of pipes are authorized.
A protective covering can be used on the pipes.

NOMENCLATURE 2008 TECHNICAL REGULATIONS

OIL SYSTEM



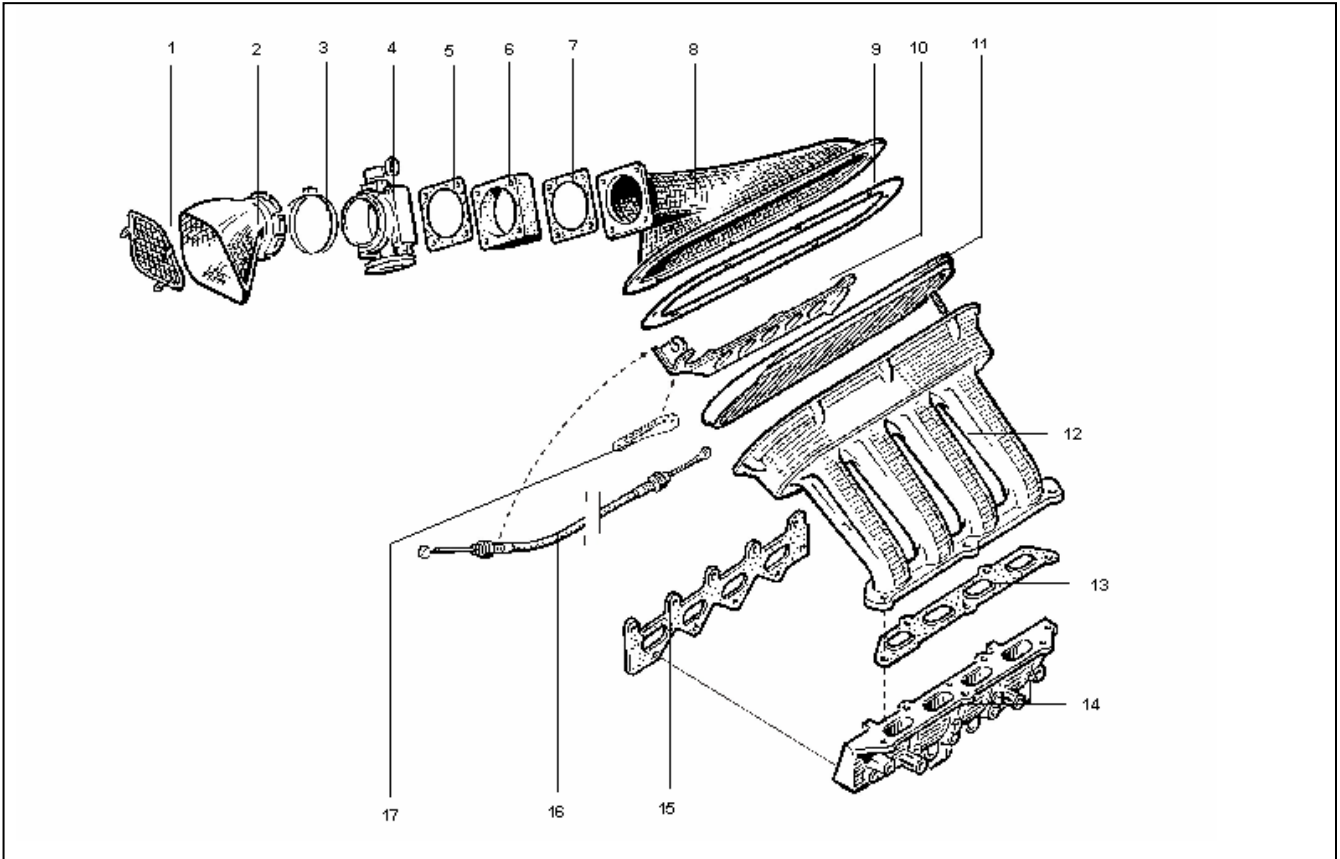
	A	B	C	
1		X		77 11 154 158
2		X		77 11 154 159
3	X			77 11 154 189
4	X			77 11 154 189
5	X			77 11 156 563
6		X		77 11 154 192
7	X			77 11 154 940
8			X	77 11 154 185

1B 2B 6B : Oil lubricating duct

A protective covering can be used on the ducts.

NOMENCLATURE 2008 TECHNICAL REGULATIONS

AIR INTAKE SYSTEM



	A	B	C	
1	X			77 11 154 848
2	X			77 11 154 846
3			X	77 11 154 851
4	X			77 11 154 256
5	X			77 11 155 380
6	X			77 11 154 849
7	X			77 11 155 380
8		X		77 11 154 845
9		X		77 11 154 340
10	X			77 11 154 847
11	X			77 11 154 850
12	X			77 11 154 844
13	X			77 00 114 203
14		X		77 11 155 542
15	X			77 00 109 906
16		X		77 11 154 144
17	X			77 11 154 882

8B : Engine air intake

It is authorized to apply a sealant compound on the lower mating plane of the air box.

9B : Tightness air box

The installation of the tightness airbox plate is mandatory and must be done following the instructions of the User Manual 2008.

14B : Big duct manifold

Only the big duct manifold ref: 77 11 155 542 is authorized.

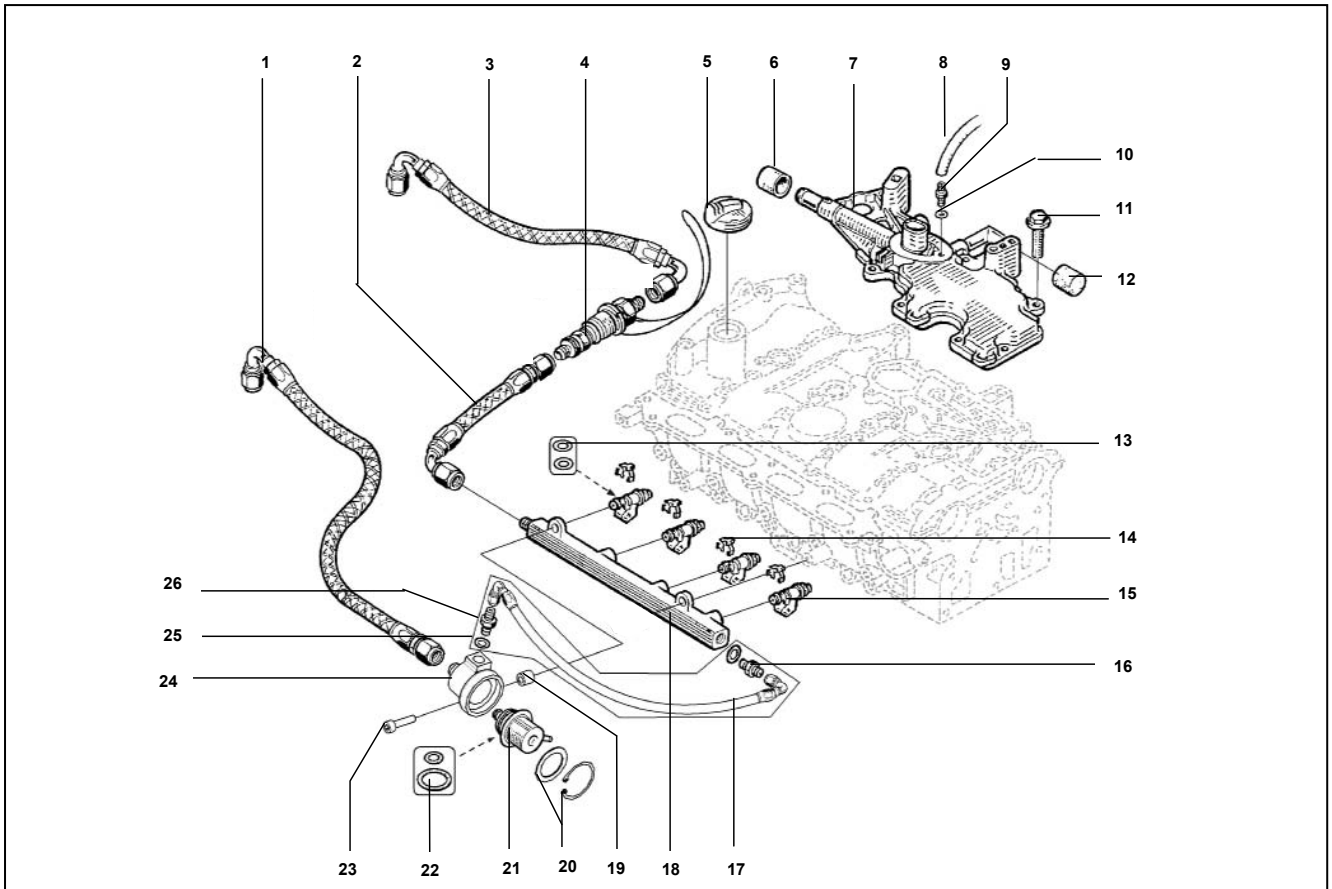
16B : Throttle cable

It is authorized:

- to fit resistant wrap-sheathing to the throttle cable in the area above the engine.
- to cut the end of the cable protection on the pedal side.

NOMENCLATURE 2008 TECHNICAL REGULATIONS

FUEL SYSTEM



	A	B	C	
1	X			77 11 154 959
2	X			77 11 154 284
3	X			77 11 154 283
4	X			77 11 154 997
5		X		77 00 111 741
6			X	77 03 074 125
7	X			82 00 313 307
8			X	77 11 154 320
9	X			77 11 154 318
10			X	77 11 154 319
11	X			77 11 107 882
12			X	77 03 074 125
13	X			77 01 206 043

	A	B	C	
14	X			77 00 106 588
15	X			77 11 155 388
16	X			77 11 154 929
17	X			77 11 154 929
18	X			77 11 154 960
19			X	77 11 154 392
20	X			77 11 068 408
21	X			77 11 156 269
22	X			77 01 204 095
23			X	77 03 009 026
24	X			77 11 154 930
25			X	77 11 154 929
26	X			77 11 154 929

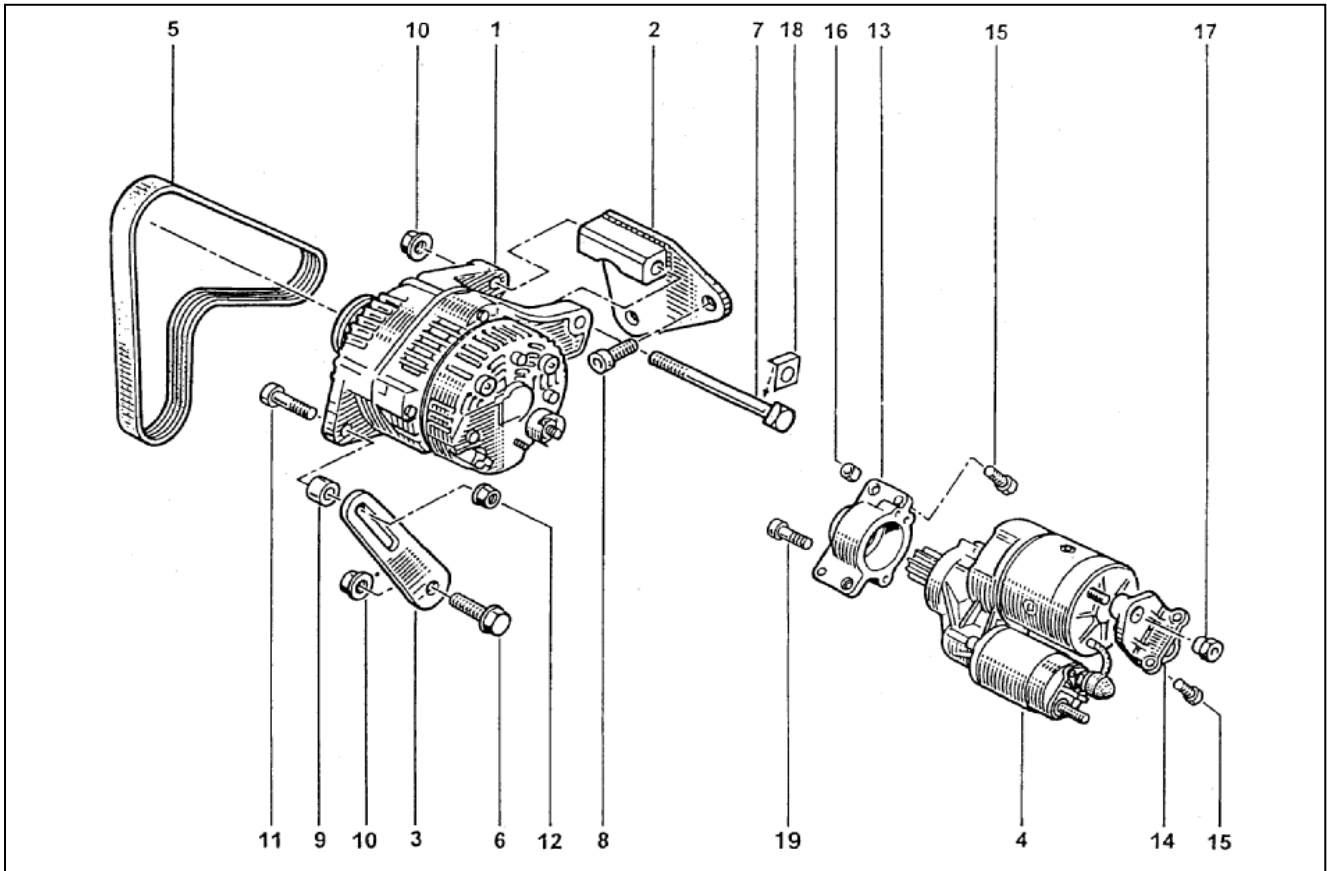
5B : Oil filler cap

It is allowed to modify the oil filler cap following the instructions of the User Manual 2008.

NOMENCLATURE

2008 TECHNICAL REGULATIONS

STARTER AND ALTERNATOR

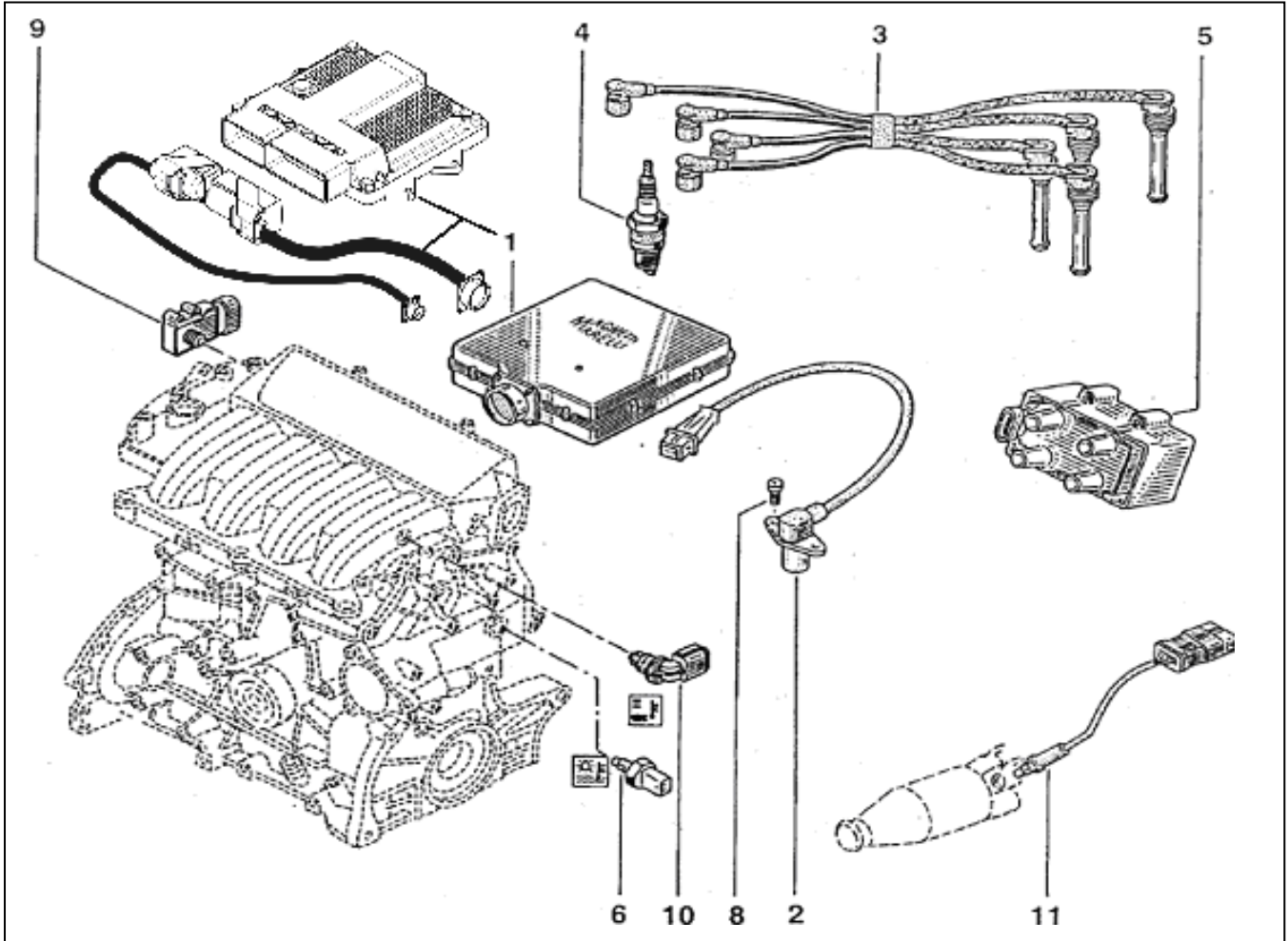


	A	B	C	
1	X			77 11 154 258
2	X			77 11 154 177
3	X			77 11 154 178
4	X			77 11 154 218
5	X			77 11 154 163
6			X	77 03 101 072
7			X	77 03 010 025
8			X	77 11 051 273
9			X	77 05 001 132
10			X	77 03 034 177

	A	B	C	
11			X	77 11 051 264
12			X	77 03 034 131
13	X			77 11 154 141
14	X			77 11 154 174
15			X	01 00 301 007
16			X	01 00 085 982
17			X	01 00 085 981
18			X	60 01 040 221
19			X	01 00 301 079

**NOMENCLATURE
2008 TECHNICAL REGULATIONS**

E.C.U. AND IGNITION



	A	B	C	
1		X		77 11 154 996 77 11 163 124 77 11 163 125
2	X			7711 126 782
3	X			7711 160 227
4		X		7711 155 292
5	X			7711 155 389
6	X			7711 155 372
8			X	7711 051 249
9	X			7711 155 392
10	X			7711 155 393
11	X			7711 155 391

1B : Engine Control Unit

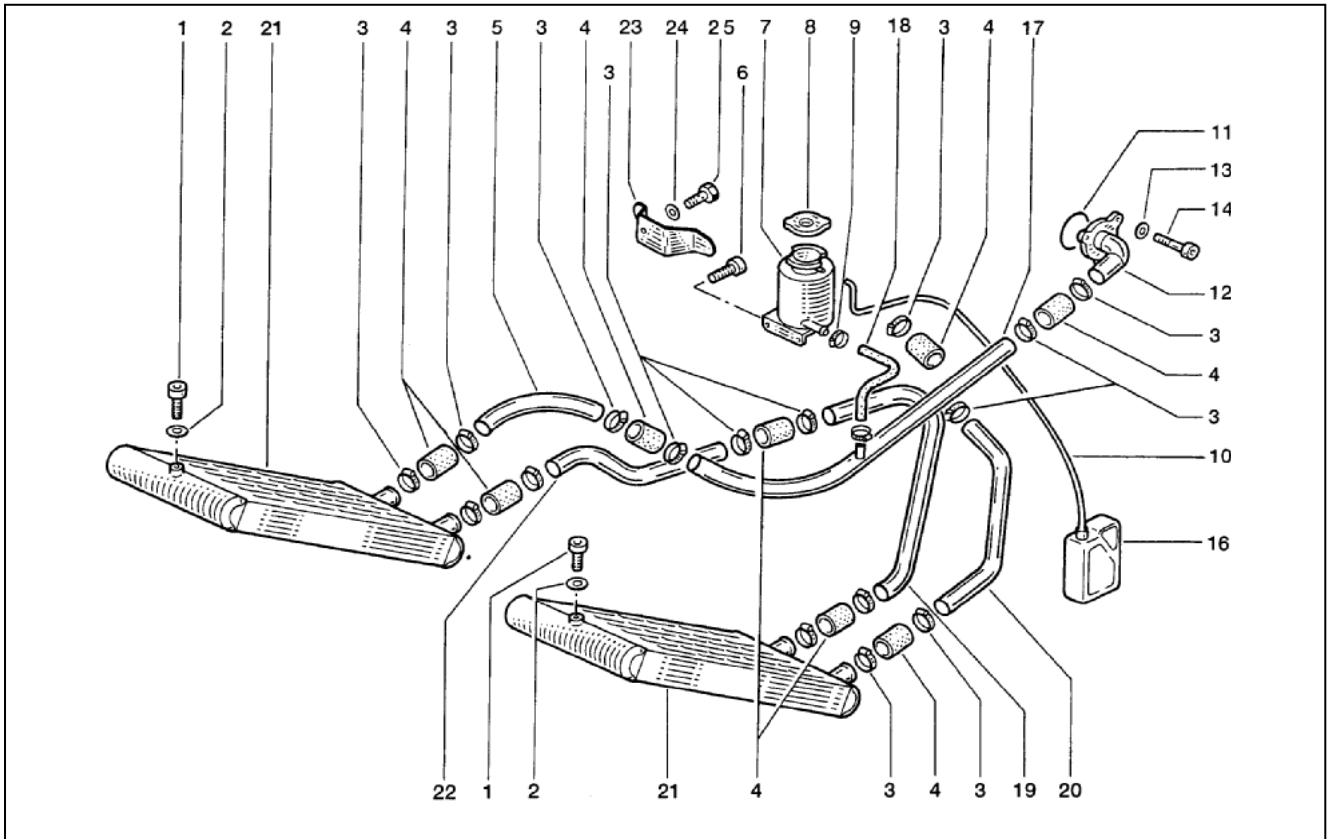
Only the ECU (MF4L or SRAE + harness) equipped with the 2005 software version is authorized.
The fitting of the ECU support is free.

4B : Ignition plugs

Only one type authorized:
NGK PFR6E – 10
Réf : **77 11 155 292**

NOMENCLATURE 2008 TECHNICAL REGULATIONS

WATER SYSTEM



	A	B	C	
1			X	77 11 154 647
2			X	77 11 154 650
3			X	77 11 154 646
4			X	77 11 154 645
5		X		77 11 154 643
6			X	77 11 154 653
7		X		77 11 154 635
8	X			77 11 154 636
9			X	77 11 154 638
10			X	77 11 154 637
11			X	77 11 154 652
12	X			77 11 154 639
13			X	77 11 154 787
14			X	77 11 154 735
16		X		77 11 154 654
17		X		77 11 154 644
18			X	77 11 154 648
19		X		77 11 154 641
20		X		77 11 154 640
21		X		77 11 154 634
22		X		77 11 154 642
23	X			77 11 154 651
24			X	77 11 154 901
25			X	77 11 154 735

5B 17B 19B 20B 22B : Water pipes

It is allowed :

- to adjust the length and the shape of the water pipes in order to fit the radiator correctly.
- to fit a wrap/sheathing protection on the pipes

7B : Coolant expansion tank

It is authorized :

- to use rubber mountings for the coolant expansion tank.
- to polish it,
- to anodize it.

16B : Recuperation tank

The tank's minimum capacity must be two liters. This container must be in transparent plastic or must have a transparent panel.

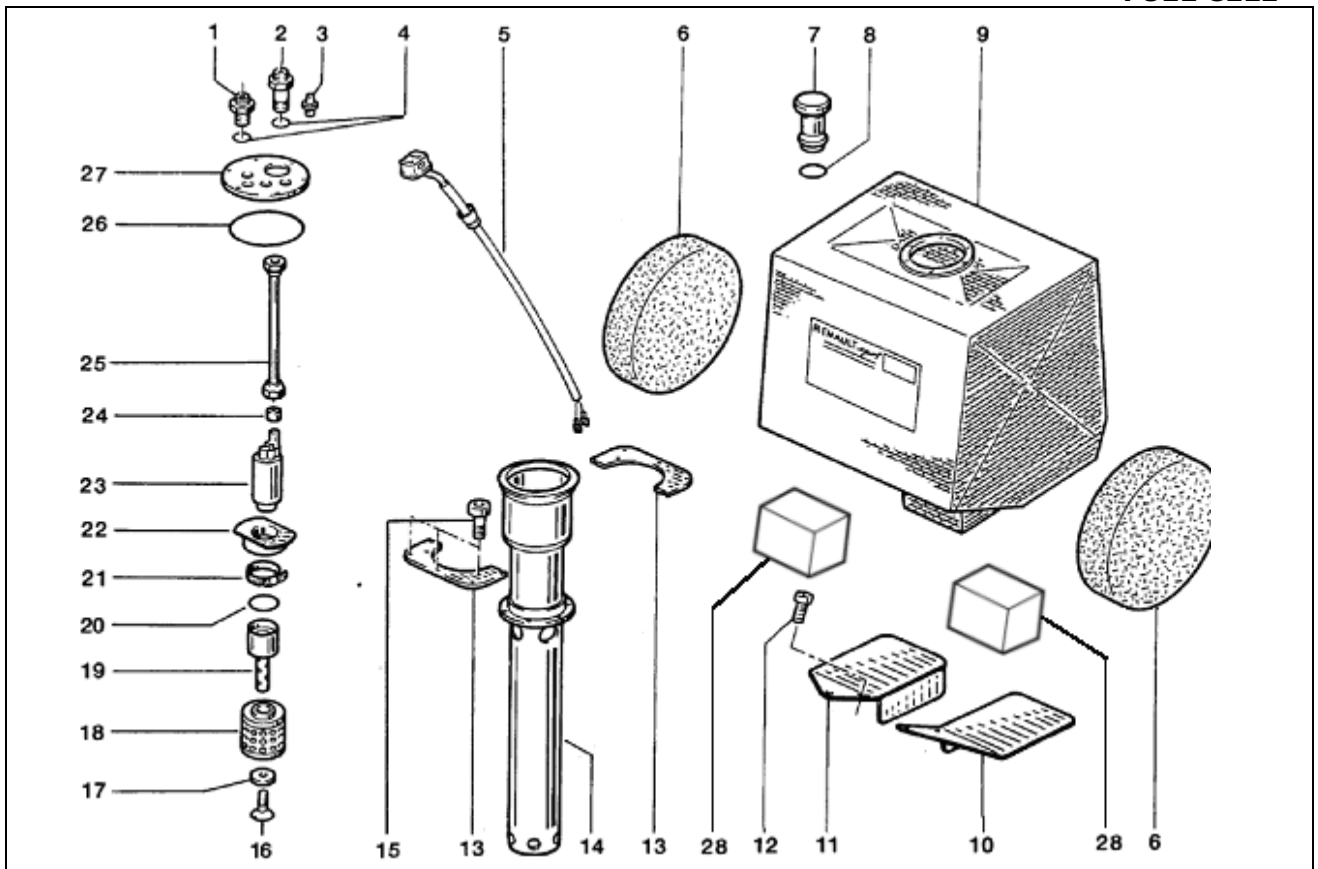
21B : Water radiator

It is permitted to install a protective grid behind and ahead of water radiator in the sidepods. It must be located between the carbon air duct fastening screws and the radiators. A heat shield can be added to this grid to control the water temperature.

It is permitted to improve the air tightness between the radiator and its air ducts.

NOMENCLATURE
2008 TECHNICAL REGULATIONS

FUEL CELL



	A	B	C		A	B	C	
1	X			77 11 154 659	15		X	77 11 154 890 77 11 154 891 77 11 154 892
2	X			77 11 154 661	16		X	77 11 154 762
3	X			77 11 154 662	17	X		77 11 154 672
4			X	77 11 154 660	18	X		77 11 154 671
5			X	77 11 154 658	19	X		77 11 154 670
6			X	77 11 154 656	20		X	77 11 154 669
7	X			77 11 154 857	21		X	77 11 154 674
8			X	77 11 154 664	22	X		77 11 154 673
9	X			77 11 154 111	23		X	77 11 154 287
10		X			24		X	77 11 154 668
11		X			25	X		77 11 154 285
12		X			26		X	77 11 154 667
13	X			77 11 154 657	27	X		77 11 154 666
14	X			77 11 154 655	28		X	77 11 154 919

23B : Fuel pump

It is authorized to install a system preventing the connectors of the electrical alimention of the pump from releasing.

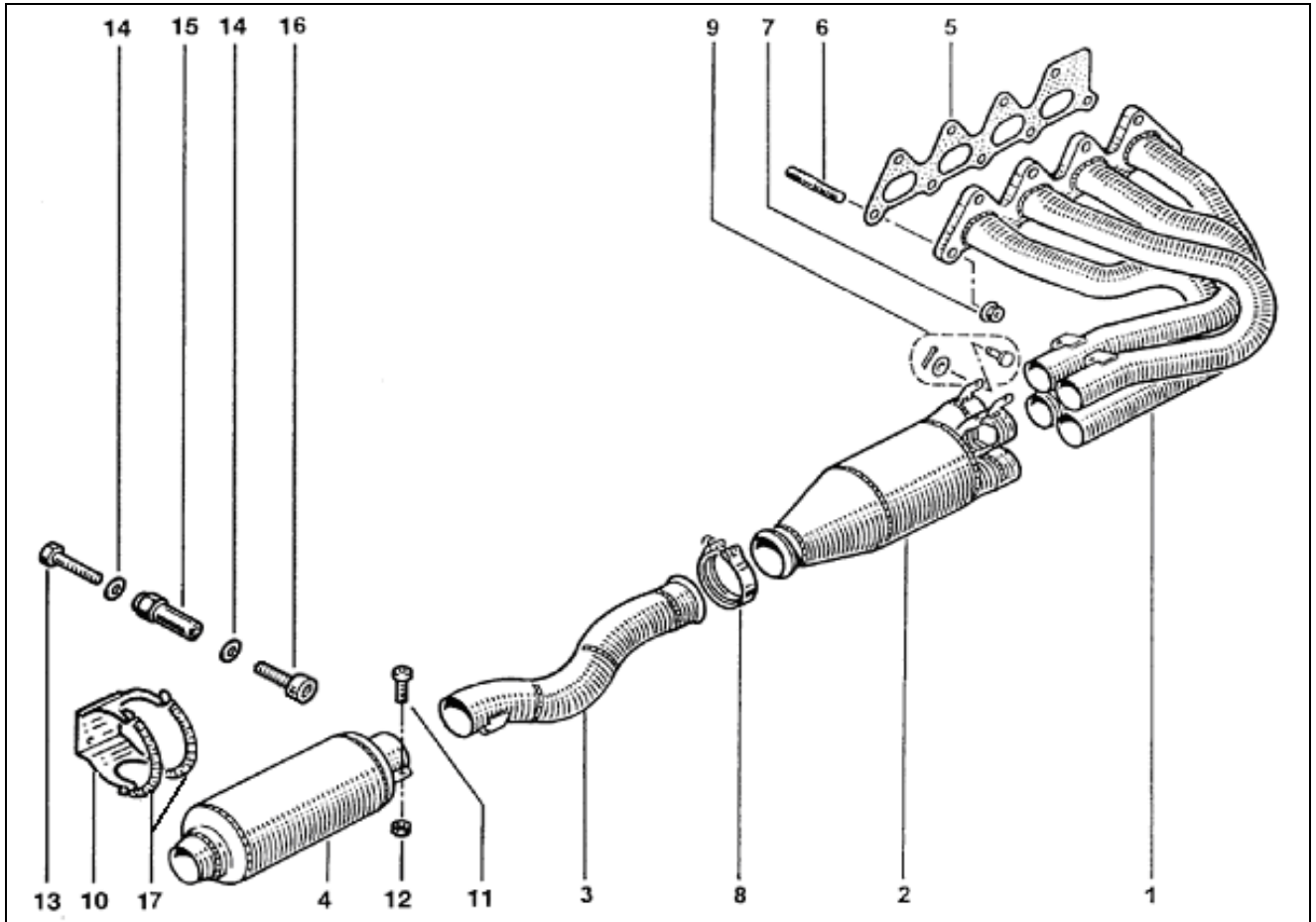
10B 11B 12B 28B : Tank support

2 support types are allowed:

- foam support ref: 77 11 154 919
- or - metallic support (1st mounting)

NOMENCLATURE 2008 TECHNICAL REGULATIONS

EXHAUST LINE



	A	B	C	
1		X		77 11 154 181
2		X		77 11 154 183
3		X		77 11 154 119
4		X		77 11 154 184
5	X			77 00 114 234
6	X			77 00 107 608
7			X	77 03 033 107
8		X		77 11 150 452
9			X	77 11 154 217
10		X		77 11 154 692
11			X	
12			X	
13			X	
14			X	77 11 154 780
15	X			77 11 163 128
16			X	77 11 154 894
17			X	77 11 154 691

1B 2B 3B 4B 10B: Exhaust elements

It is allowed to repair the exhaust elements respecting the original dimensions and functions.
Adding reinforcement is forbidden.

1B : Exhaust manifold

It is authorized:
- to use heat wrap on the exhaust manifold.
- to add any type off paint.

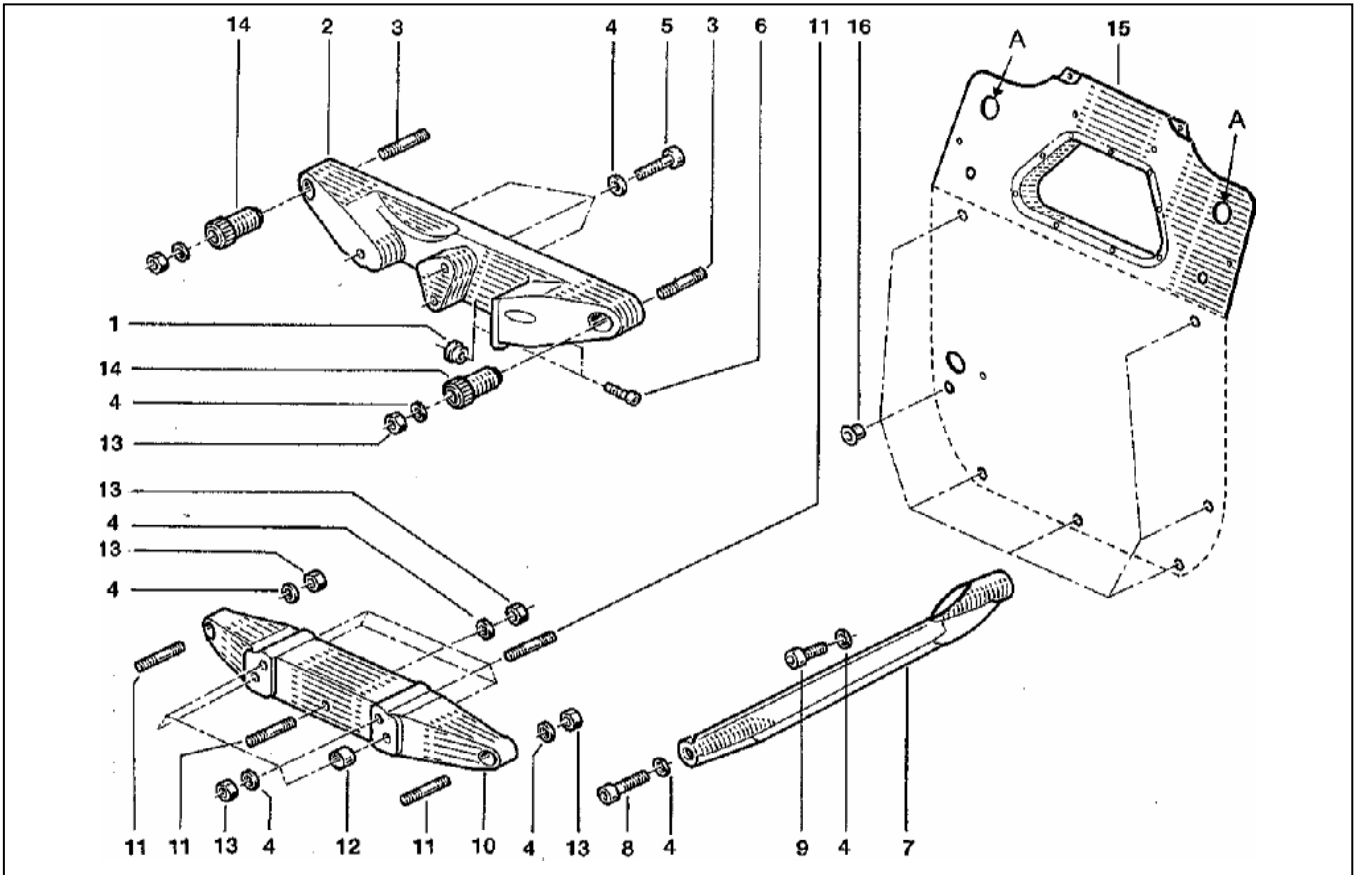
Heat shields are forbidden.

8B : Exhaust collar

The length of the screw is free.

**NOMENCLATURE
2008 TECHNICAL REGULATIONS**

ENGINE SUPPORTS



	A	B	C	
1	X			77 11 154 876
2		X		77 11 154 676
3			X	77 11 154 680
4			X	77 11 154 800
5			X	77 11 154 741
6			X	77 11 154 736
7	X			77 11 154 993
8			X	77 11 154 799
9			X	77 11 154 801
10	X			77 11 154 677
11			X	77 11 154 682
12	X			77 11 154 685
13			X	77 11 154 715
14	X			77 11 154 679
15		X		77 11 154 350
16	X			77 11 154 683 77 11 154 684

2B : Upper engine bracket

2 types of upper engine bracket are authorized:

- 1st model: the original part,
- 2nd model: ref 77 11 154 676 (reinforced).

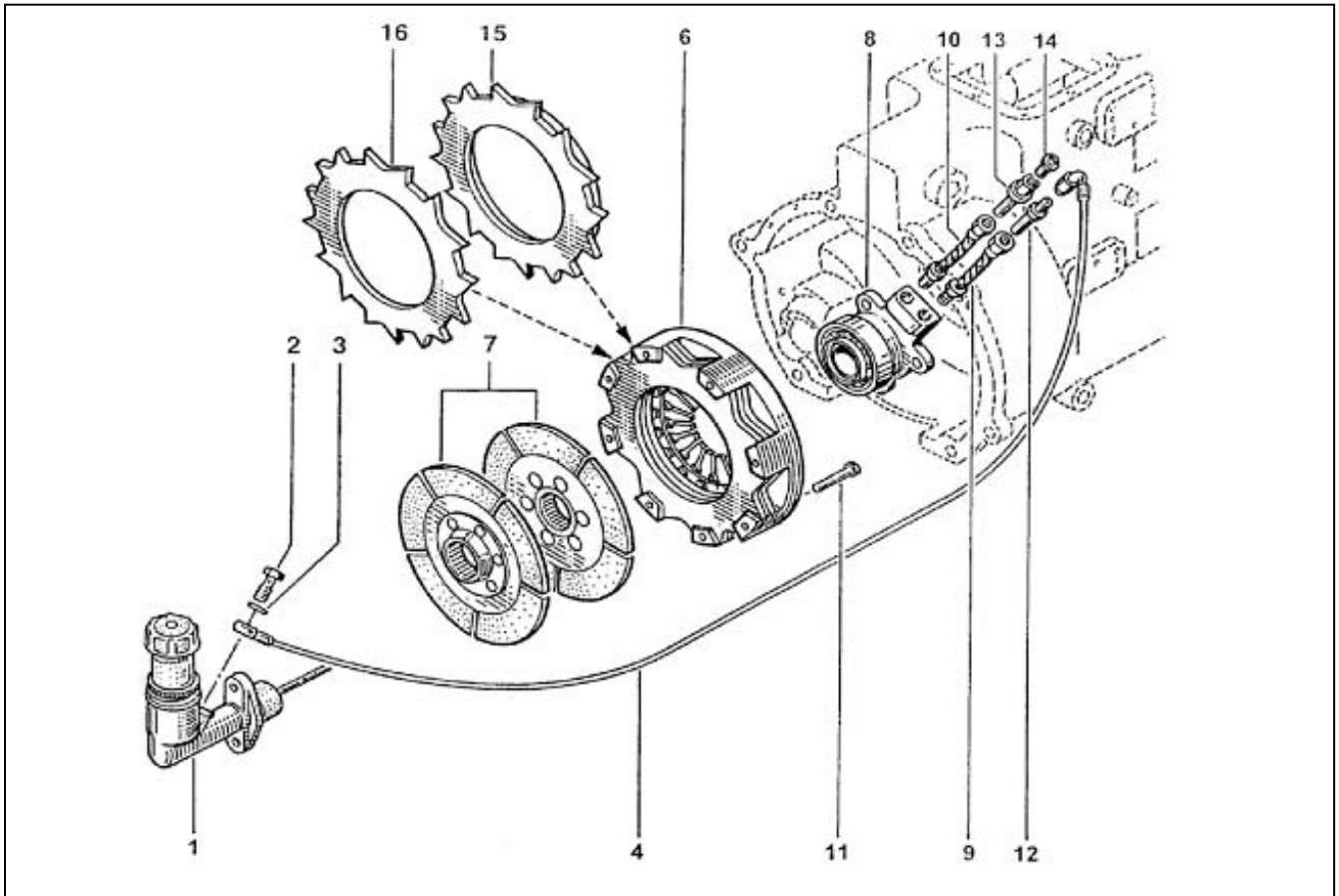
15B : Firewall (chassis rear side)

It is authorized:

- to fit protective wrap/sheathing to cables passing through holes (A) in firewall.
- to stick a heat wrap aluminium adhesive type on the firewall.

NOMENCLATURE 2008 TECHNICAL REGULATIONS

CLUTCH



	A	B	C	
1		X		77 11 154 146 77 11 154 147 77 11 154 148
2	X			77 11 153 550
3			X	77 11 156 532
4		X		77 11 154 153
6	X			77 11 154 127
7	X			77 11 154 128
8	X			77 11 154 129
9	X			77 11 154 267
10			X	77 11 154 267
11			X	77 11 154 201
12	X			77 11 156 128
13	X			77 11 154 216
14		X		77 11 154 524
15	X			77 11 154 260
16	X			77 11 154 001

1B : Clutch and brake master cylinders

It is authorized to mix the brake and clutch master cylinders on the vehicle.

The length of the rod of the master cylinder is free.

The presence of the master cylinder upper panels is not compulsory.

4B : Clutch canalisation

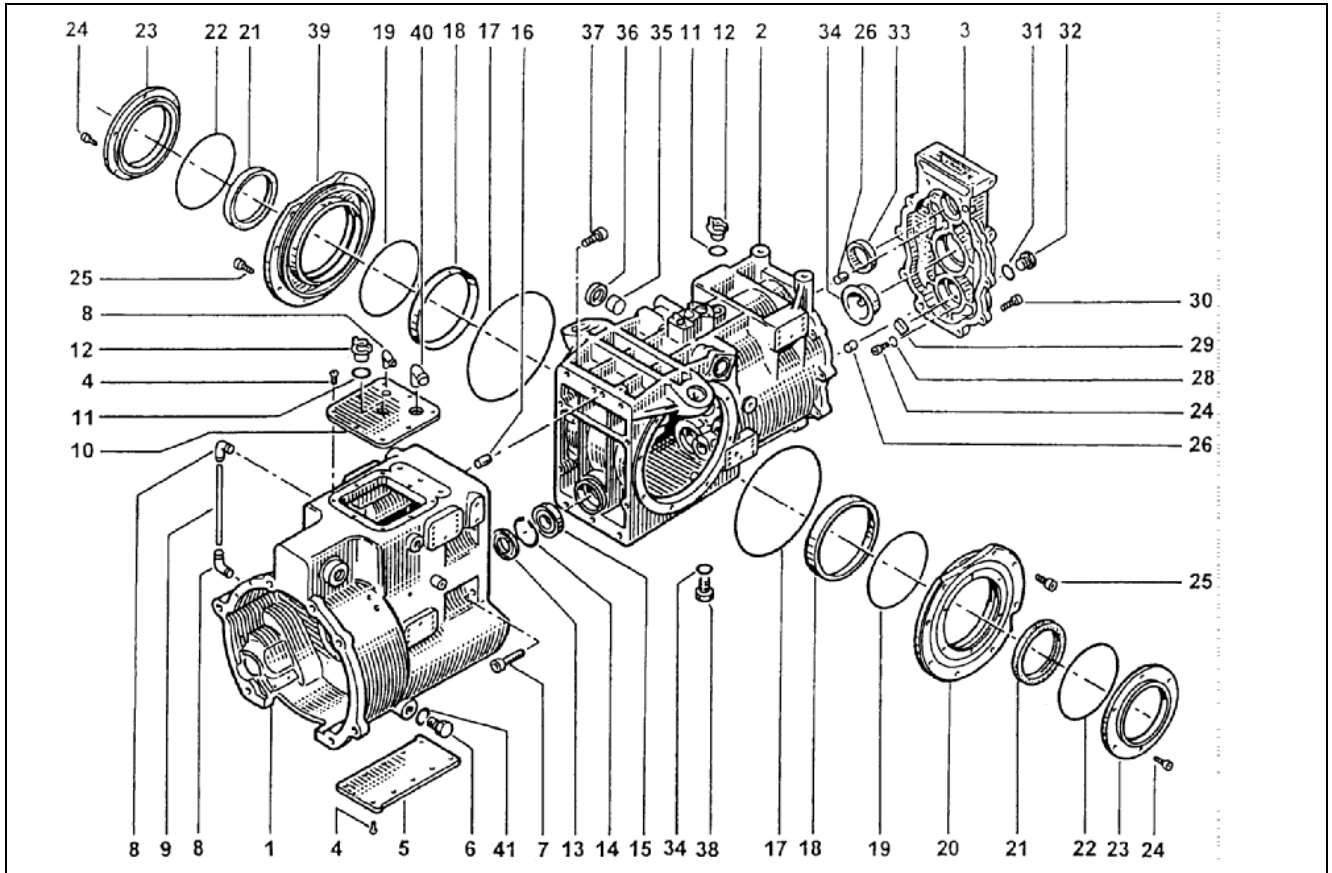
It is allowed to use a quick release fitting on the clutch line.

14B : Clutch bleed screw

It is authorized to move the clutch bleed screw by using a flexible extension pipe with a maximum authorized length of 50cm. The bleed screw must remain in the engine bay.

NOMENCLATURE 2008 TECHNICAL REGULATIONS

GEARBOX HOUSING



	A	B	C	
1		X		77 11 154 208
2		X		77 11 154 209
3	X			77 11 154 210
4			X	01 00 308 022
5	X			01 00 085 227
6			X	77 03 075 304
7			X	01 00 301 051
8	X			77 11 154 310
9	X			77 11 154 310
10	X			01 00 085 226
11			X	82 00 201 381
12			X	77 03 075 180
13	X			01 00 206 003
14	X			01 00 602 043
15	X			01 00 101 050
16			X	01 00 016 008
17			X	01 00 201 036
18	X			77 03 090 362
19			X	01 00 085 141
20		X		01 00 085 215

1B : Clutch housing

It is allowed:

- to repair the clutch housing in respect of the procedure described in the User Manual 2008 (page 20-6).
- to repair the various attachments if metal has been torn off.

2B : Gearbox casing

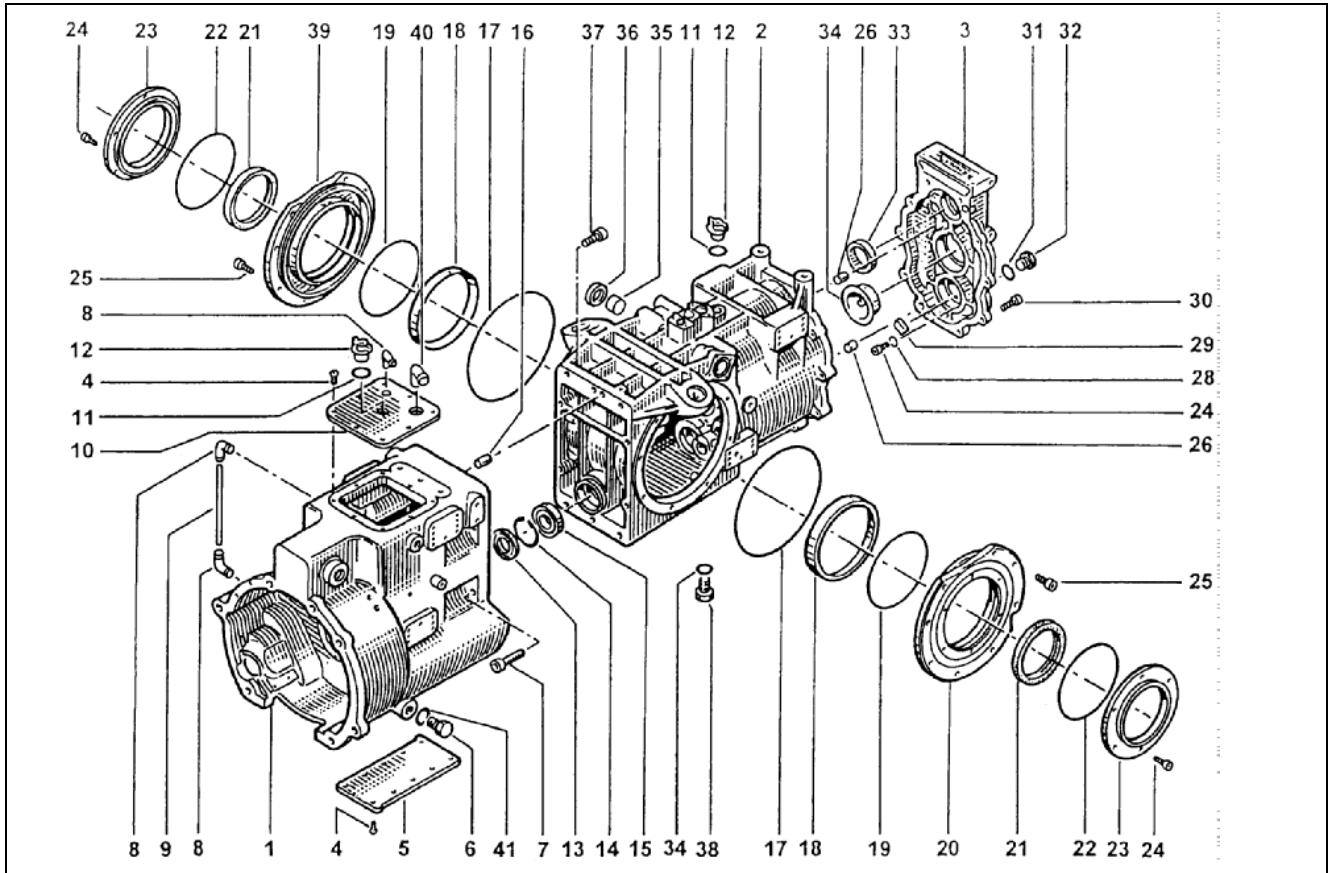
It is permitted to repair the various attachments if metal has been torn off.

20B : Gearbox differential side plates

It is allowed to realise thread holes in the side plates to easy the disassembly shown on the plan mentioned in the User Manual 2008 (page 21-12).

**NOMENCLATURE
2008 TECHNICAL REGULATIONS**

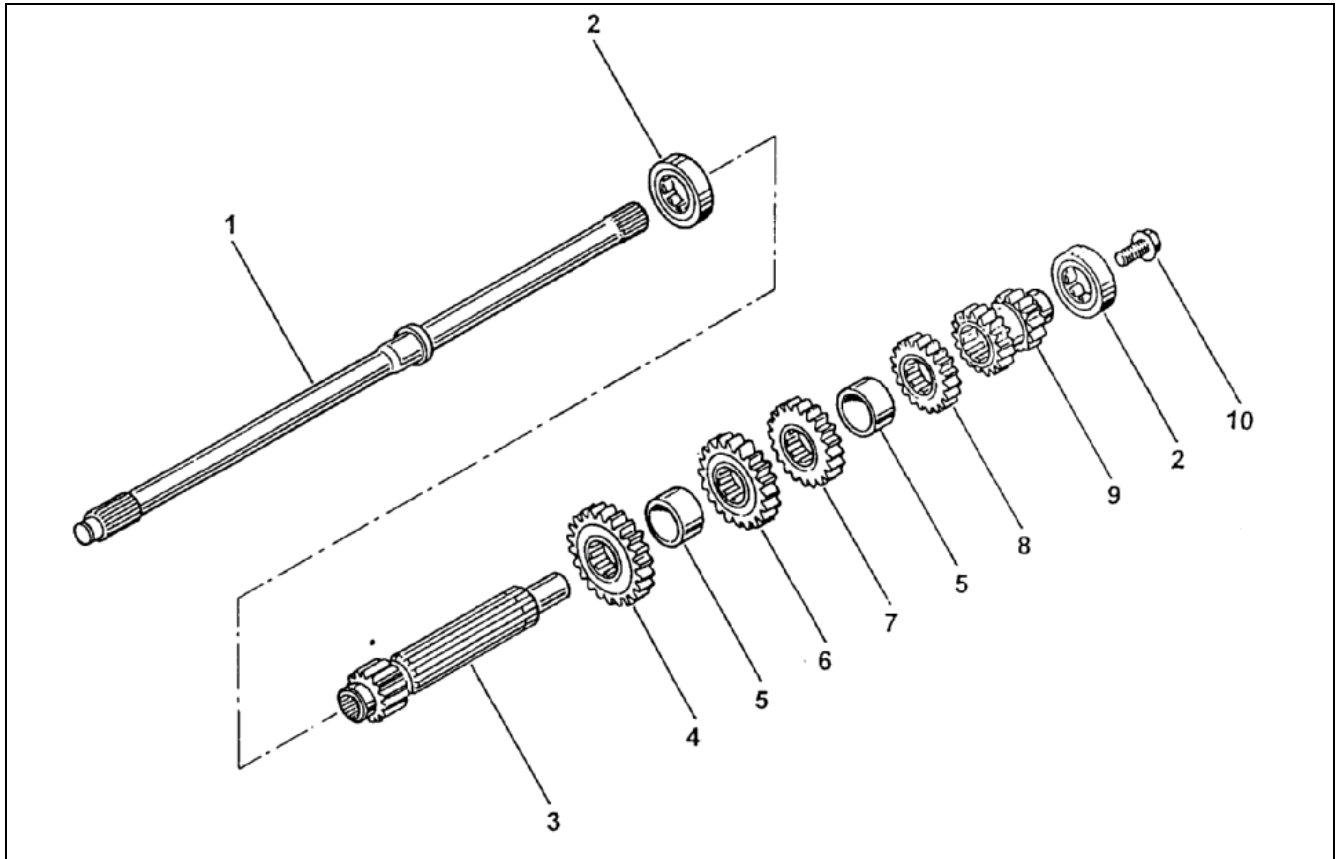
GEARBOX HOUSING



	A	B	C	
21	X			01 00 203 019
22			X	01 00 201 034
23	X			01 00 085 220
24			X	01 00 301 100
25			X	01 00 301 020
26			X	01 00 077 229
28			X	01 00 502 016
29			X	77 00 511 874
30			X	01 00 301 245
31			X	77 03 062 062
32			X	79 03 075 033
33	X			01 00 106 006
34	X			01 00 085 225
35	X			01 01 202 004
36	X			01 00 205 021
37			X	01 00 301 053
38			X	01 00 590 481
39	X			01 00 085 216
40	X			77 05 030 272
41			X	77 11 050 937

NOMENCLATURE
2008 TECHNICAL REGULATIONS

PRIMARY SHAFT



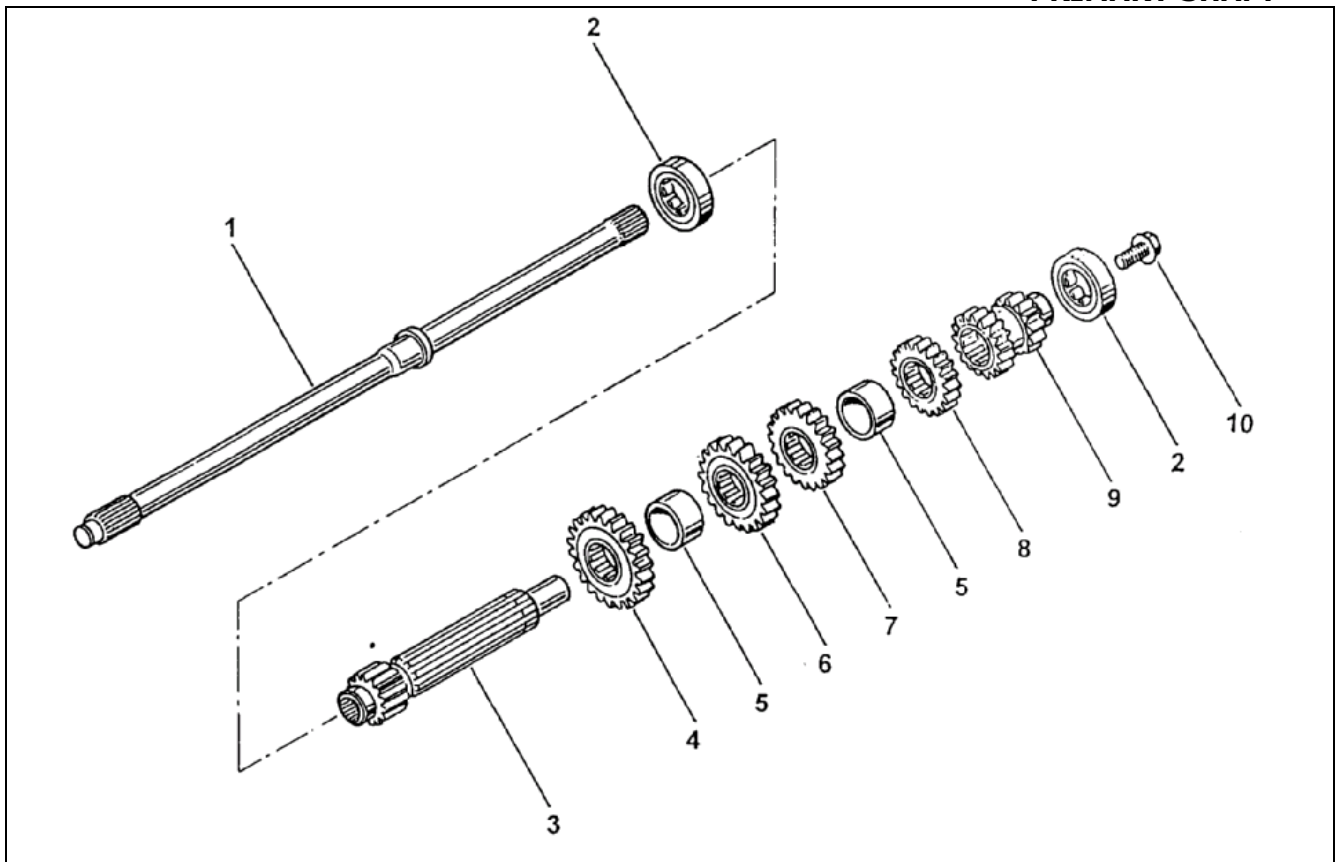
	A	B	C	
1	X			01 00 085 011
2	X			01 00 103 015
3	X			01 00 085 010
4		X		See table (next page)
5	X			01 00 085 006
6		X		See table (next page)
7		X		See table (next page)
8		X		See table (next page)
9		X		See table (next page)
10	X			01 00 085 015

4B 6B to 9B : Gearbox ratios

Only three ratio sets are authorized for the 2008 season: short, medium, long. It is not authorized to mix the ratios from one set to another.

NOMENCLATURE 2008 TECHNICAL REGULATIONS

PRIMARY SHAFT



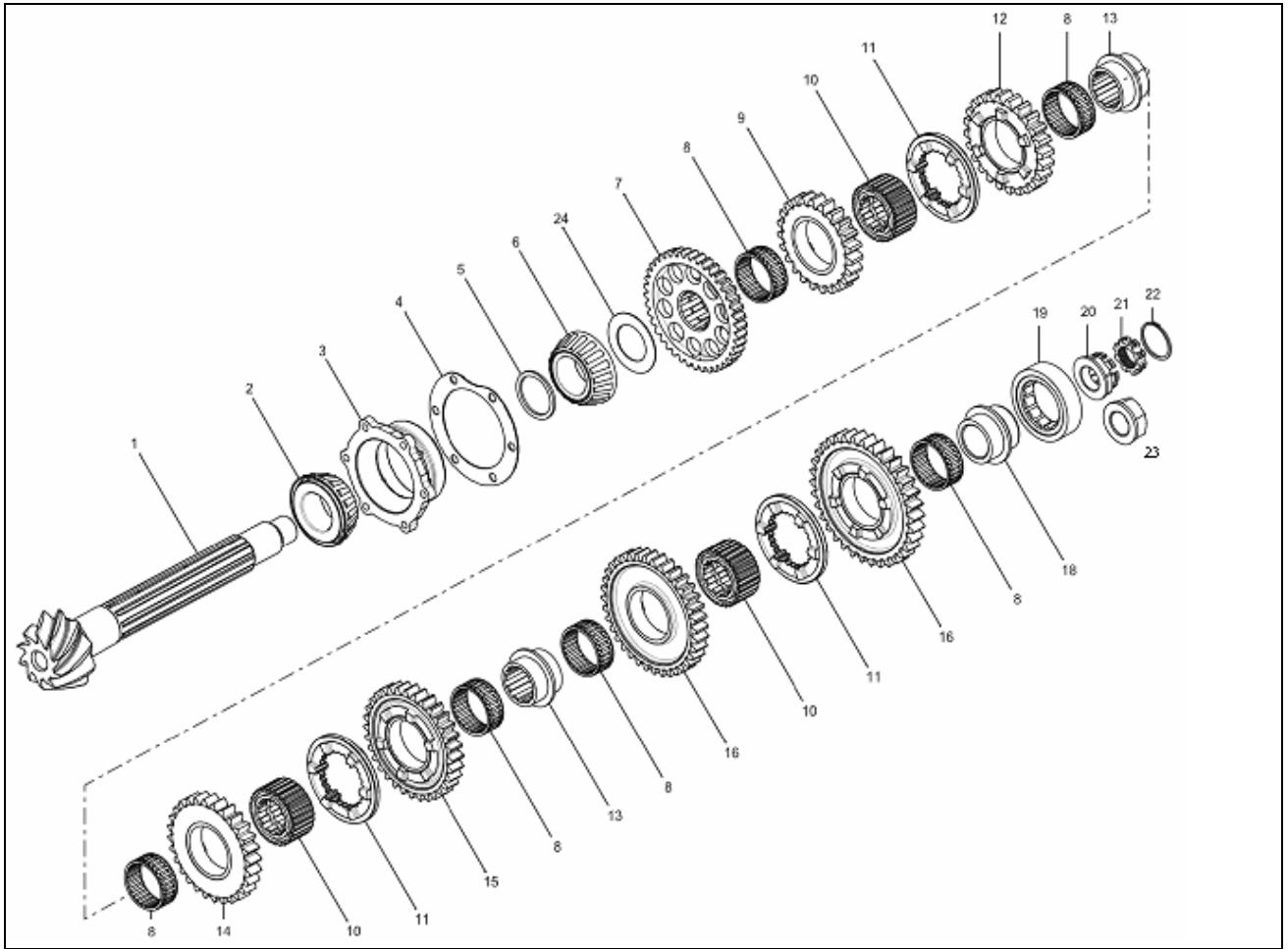
Ratios	Short set	Reference
1	12/36	44 75 900 102
2	16/36	44 75 900 102
3	16/29	33 75 141 629
4	18/27	33 75 141 827
5	21/27	33 75 142 127
6	23/26	33 75 142 326

Ratios	Long set	Reference
1	14/37	55 75 141 437
2	18/35	44 75 141 835
3	18/28	44 75 141 828
4	21/27	44 75 142 127
5	20/22	44 75 142 022
6	27/26	44 75 142 726

Ratios	Medium set	Reference
1	12/34	44 75 900 101
2	17/36	44 75 900 101
3	19/32	33 75 141 932
4	20/28	33 75 142 028
5	20/24	33 75 142 024
6	22/23	33 75 142 223

**NOMENCLATURE
2008 TECHNICAL REGULATIONS**

SECONDARY SHAFT



	A	B	C	
1	X			01 01 031 852
2	X			01 00 850 121
3	X			01 00 850 121
4	X			01 00 850 131
5	X			01 00 850 121
6	X			01 00 850 121
7	X			01 00 085 008
8	X			01 00 105 043
9		X		See table (next page)
10	X			01 00 085 003
11	X			01 00 085 004
12		X		See table (next page)

	A	B	C	
13	X			See table (next page)
14		X		See table (next page)
15		X		See table (next page)
16		X		See table (next page)
17		X		See table (next page)
18	X			01 00 085 007
19	X			01 00 103 011
20		X		01 09 002 038
21		X		01 09 002 010
22		X		01 09 005 004
23		X		01 09 907 016
24	X			01 00 085 019

9B 12B 14B to 17B : Gearbox ratios

Only three sets are authorized for the 2008 season: short, medium, long. It is not authorized to mix the ratios from one to another.

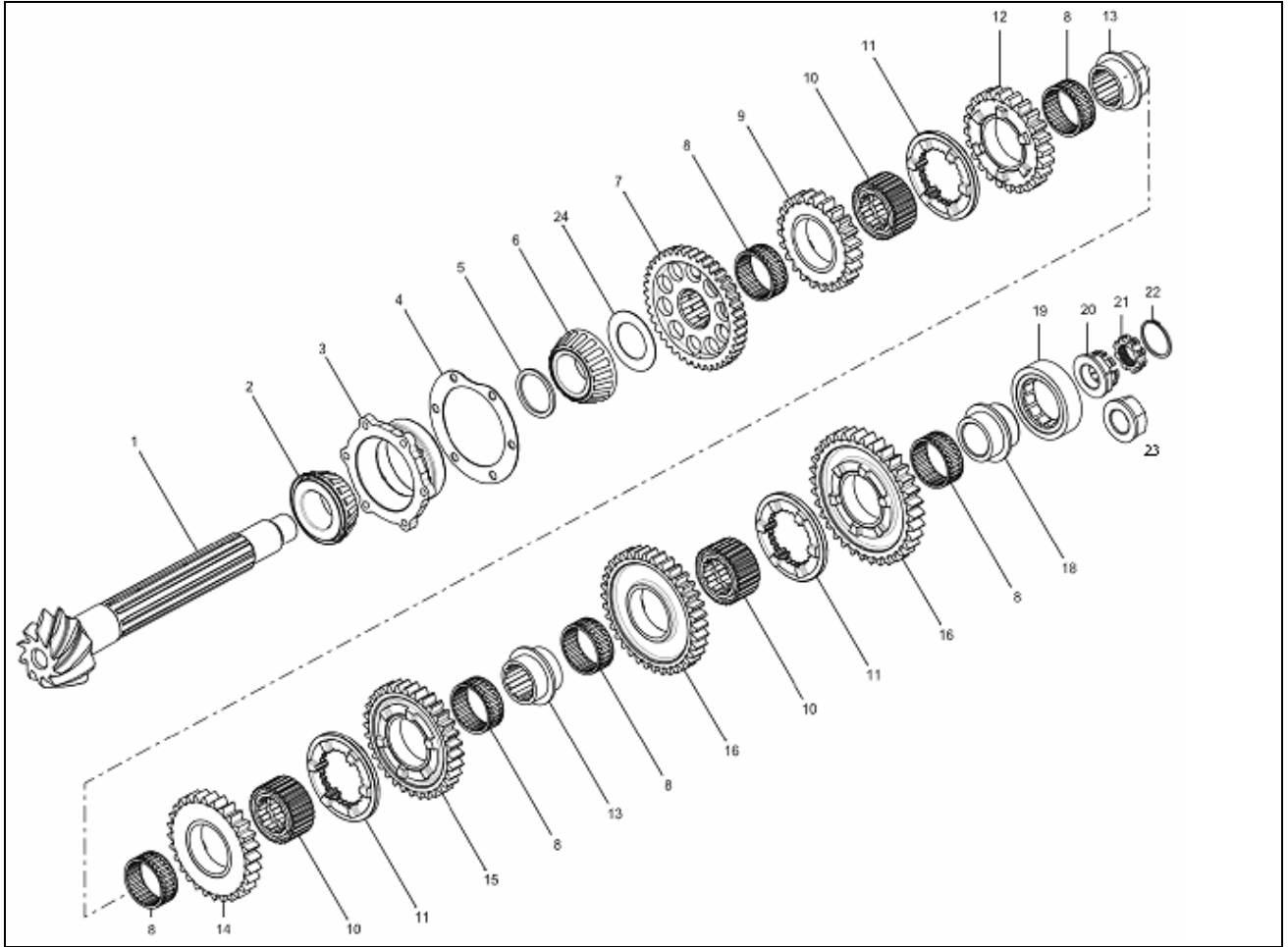
20B 21B 22B 23B : Secondary shaft tightening

Two mounting types are independently authorized:

- nut 23
- **OR** nut 20, washer 21, seeger 22

**NOMENCLATURE
2008 TECHNICAL REGULATIONS**

SECONDARY SHAFT



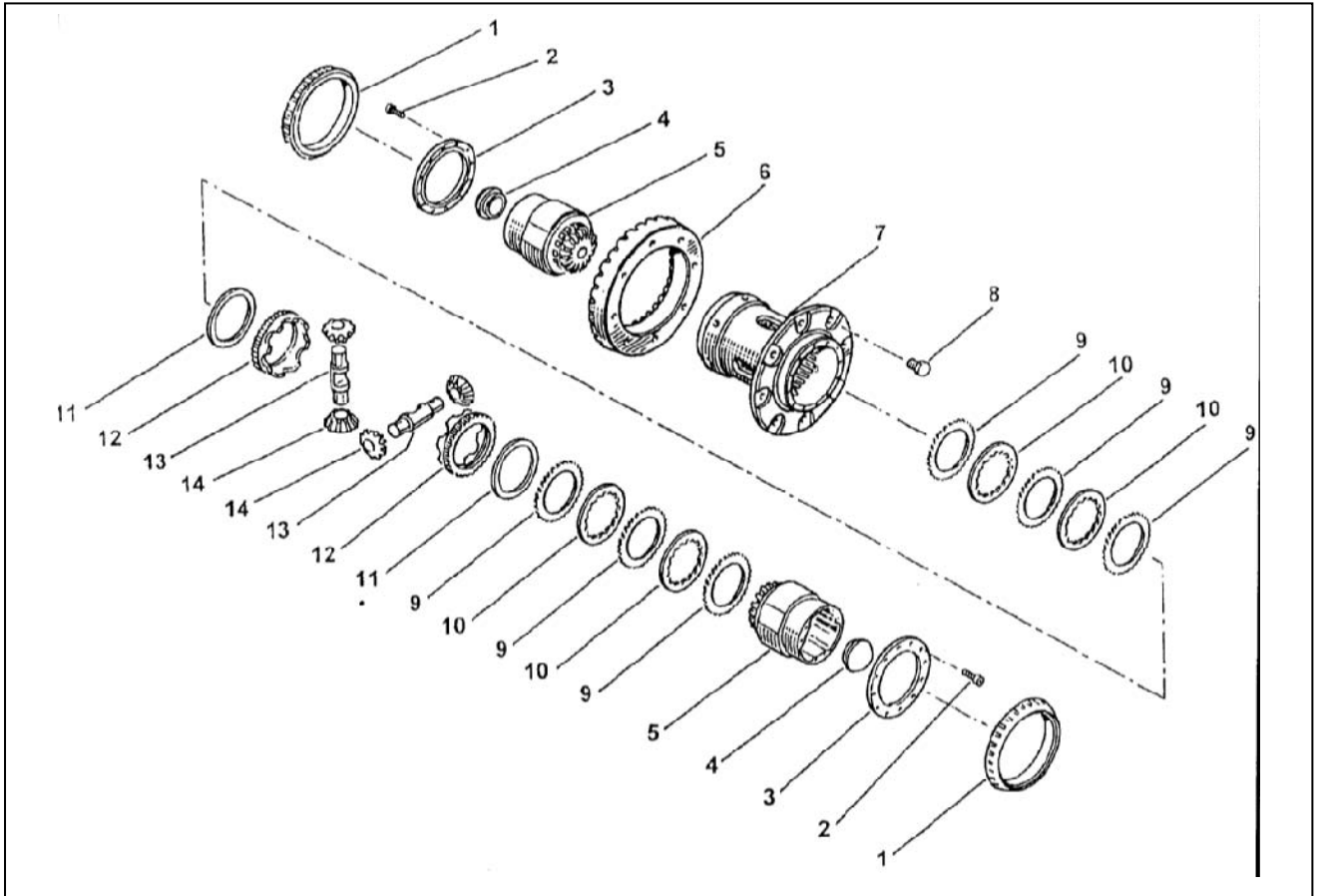
Ratios	Short set	Reference
1	12/36	44 75 900 102
2	16/36	44 75 900 102
3	16/29	33 75 141 629
4	18/27	33 75 141 827
5	21/27	33 75 142 127
6	23/26	33 75 142 326

Ratios	Long set	Reference
1	14/37	55 75 141 437
2	18/35	44 75 141 835
3	18/28	44 75 141 828
4	21/27	44 75 142 127
5	20/22	44 75 142 022
6	27/26	44 75 142 726

Ratios	Medium set	Reference
1	12/34	44 75 900 101
2	17/36	44 75 900 101
3	19/32	33 75 141 932
4	20/28	33 75 142 028
5	20/24	33 75 142 024
6	22/23	33 75 142 223

NOMENCLATURE 2008 TECHNICAL REGULATIONS

DIFFERENTIAL



	A	B	C	
1	X			77 03 090 362
2	X			01 00 301 242
3	X			01 00 085 910
4	X			01 00 085 951
5	X			01 00 859 071
6	X			01 01 031 852
7	X			01 00 085 900
8	X			01 00 305 052
9		X		01 00 085 912
10		X		01 00 085 913
11		X		01 00 085 914
				77 11 154 921
				77 11 154 922
12	X			01 00 859 091
13	X			01 00 085 911
14	X			01 00 085 908

9B : Friction disk

The thickness must be: 2mm $+0.05$
 -0.1

10B : Smooth disk

The thickness must be: 1.85mm $+0.01$
 -0.06

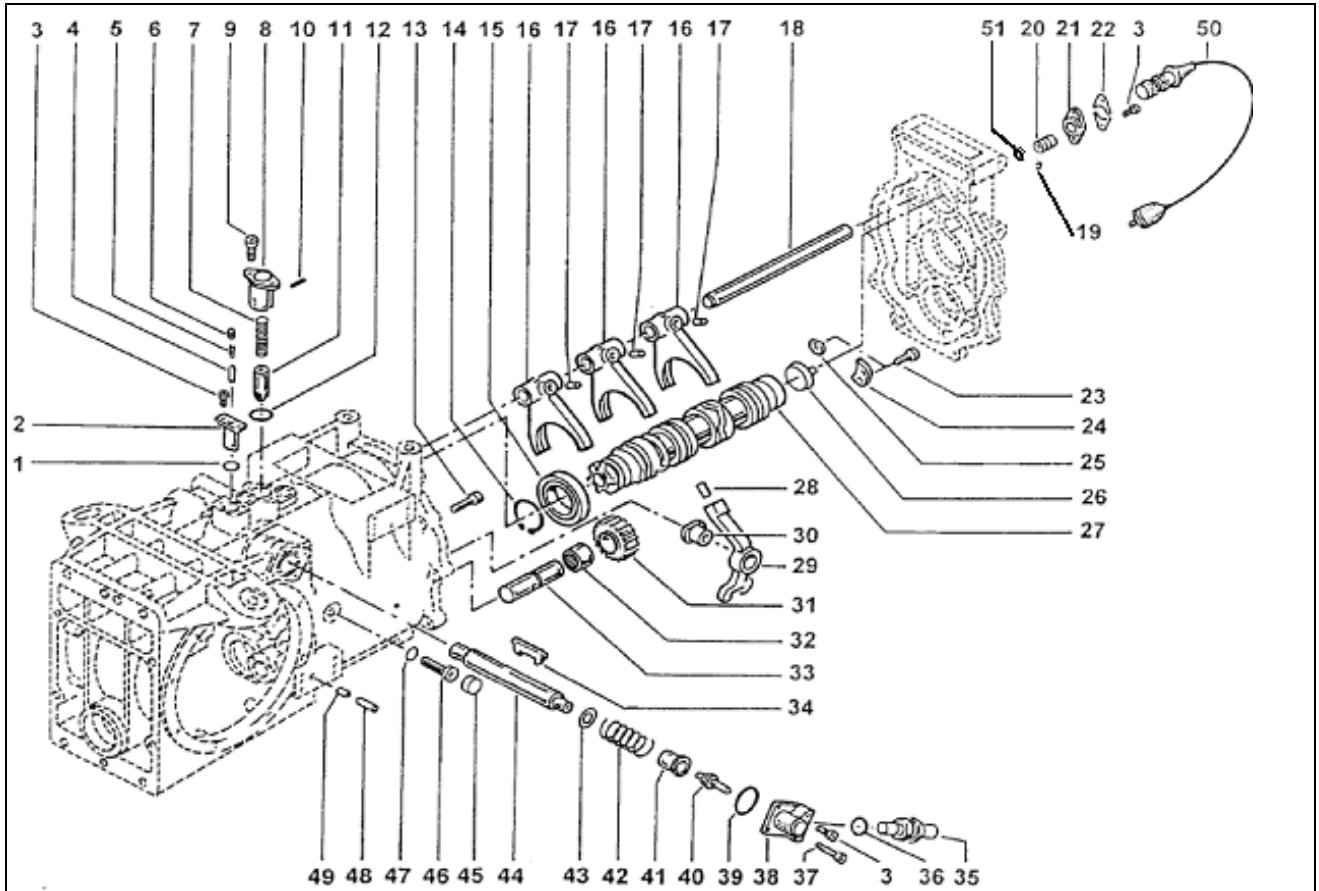
11B : « Belleville » washer

3 types of « Belleville » washers are allowed:

- ref: 01 00 085 914 thickness 2 mm $+ 0,03$
 $- 0,08$
- ref: 77 11 154 921 thickness 1.85 mm $+ 0,03$
 $- 0,08$
- ref: 77 11 154 922 thickness 1.6 mm $+ 0,03$
 $- 0,08$

NOMENCLATURE 2008 TECHNICAL REGULATIONS

GEARBOX SELECTOR LEVER



	A	B	C	
1			X	01 00 201 017
2	X			01 00 771 051
3			X	01 00 301 100
4	X			01 00 077 110
5	X			01 00 801 026
6	X			01 00 302 023
7	X			01 00 801 046
8	X			01 00 851 061
9			X	01 00 301 161
10			X	01 00 701 013
11	X			01 00 851 061
12			X	01 00 201 033
13			X	
14	X			01 00 601 010
15	X			01 00 101 018
16	X			01 00 851 001
17	X			01 00 077 120

	A	B	C	
18	X			01 00 085 103
19			X	01 00 302 009
20	X			01 00 590 901
21	X			01 00 077 150
22	X			01 00 077 151
23			X	01 00 301 013
24	X			01 00 851 081
25	X			01 00 851 081
26	X			01 00 085 107
27	X			01 00 851 021
28	X			01 00 077 108
29	X			01 00 851 011
30	X			01 00 085 111
31	X			01 00 850 091
32	X			01 00 106 007
33	X			01 00 085 110
34	X			01 00 059 040

	A	B	C	
35	X			11 00 077 119
36		X		01 00 062 011
37			X	01 00 301 126
38	X			01 00 062 010
39			X	01 00 201 015
40	X			01 00 062 009
41	X			01 00 059 022
42	X			01 00 801 027
43			X	01 00 059 049
44	X			01 00 085 104
45			X	01 00 085 228
46			X	01 00 304 006
47			X	01 00 599 017
48			X	01 00 302 027
49	X			01 00 085 112
50	X			77 11 152 299
51	X			01 00 203 017

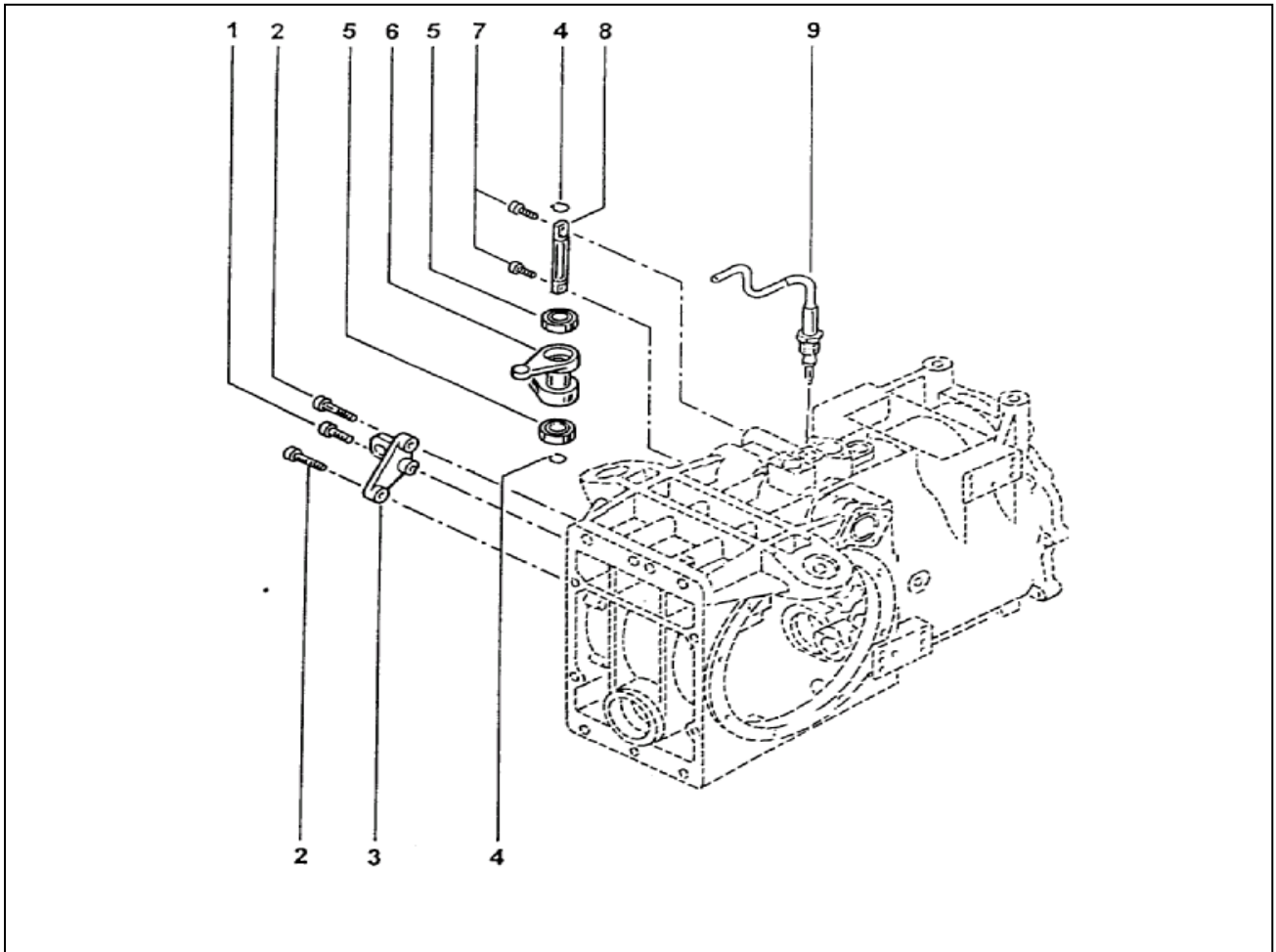
36B : Engine cut off switch adjustment shims

4 shims thicknesses are allowed (mm): 1,25 - 1,50 - 1,75 - 2

NOMENCLATURE

2008 TECHNICAL REGULATIONS

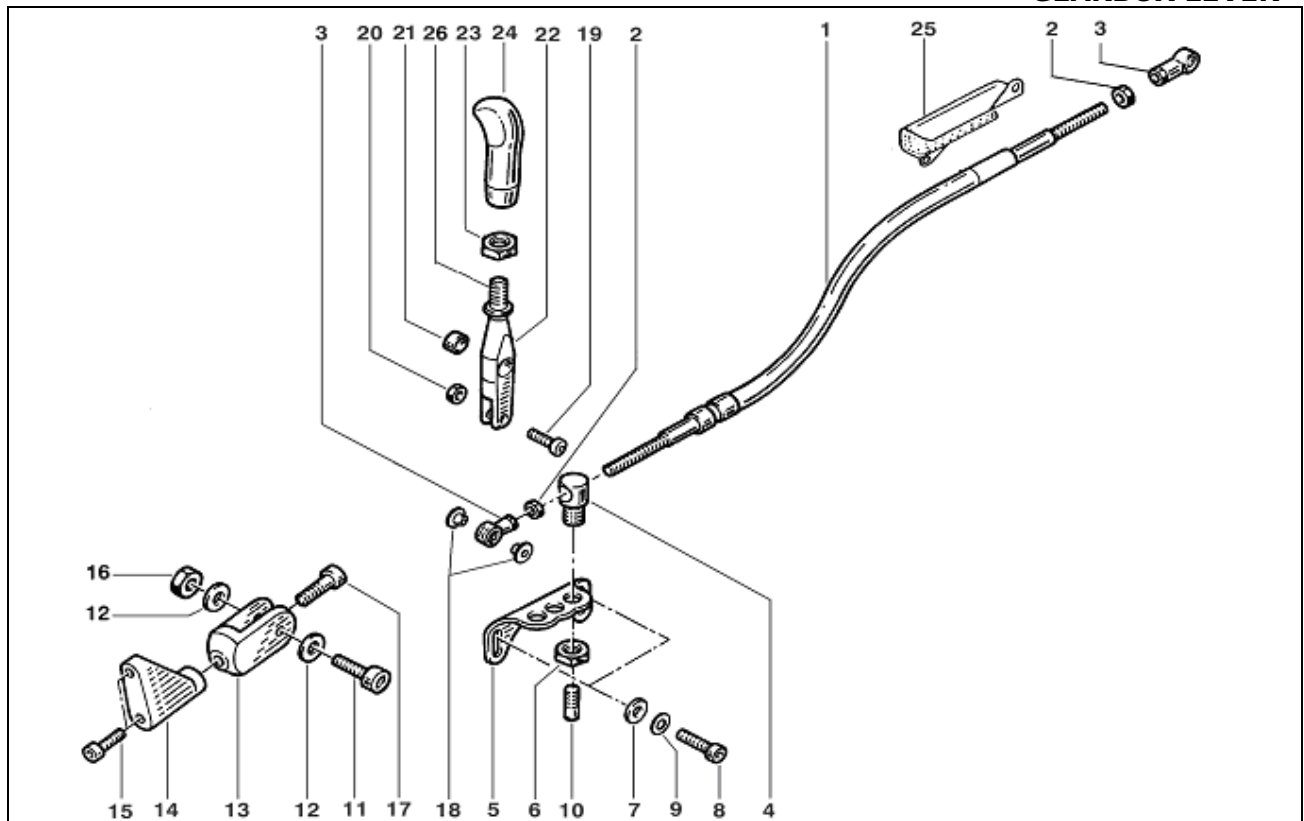
GEARBOX SELECTOR LEVER



	A	B	C	
1			X	01 00 301 020
2			X	01 00 301 418
3	X			77 11 154 138
4	X			01 00 601 038
5	X			77 11 156 244
6	X			77 11 154 137
7			X	01 00 301 373
8	X			77 11 154 140
9	X			77 11 154 136

NOMENCLATURE 2008 TECHNICAL REGULATIONS

GEARBOX LEVER



	A	B	C	
1		X		77 11 154 263
2			X	77 11 154 865
3	X			77 11 154 731
4	X			77 11 154 598
5	X			77 11 154 718
6			X	77 11 154 714
7			X	77 11 154 758
8			X	77 11 154 754
9			X	77 11 154 787
10	X			77 11 154 599
11			X	77 11 154 883
12			X	77 11 154 787
13		X		77 11 154 595
14	X			77 11 154 596
15			X	77 11 154 789
16			X	77 11 154 743
17			X	77 11 154 908
18	X			77 11 154 601
19			X	77 11 154 884
20			X	77 11 154 864
21	X			77 11 154 600
22	X			77 11 154 594
23			X	77 11 154 740
24			X	77 11 154 597
25	X			77 11 154 311
26			X	77 11 154 602

1B : « Push pull » cable

It is authorized:

- to fit a heat resistant sleeve to the push pull cable.
- to secure the push pull cable to the engine block, using a junilee clip to move it clear of the exhaust manifold.

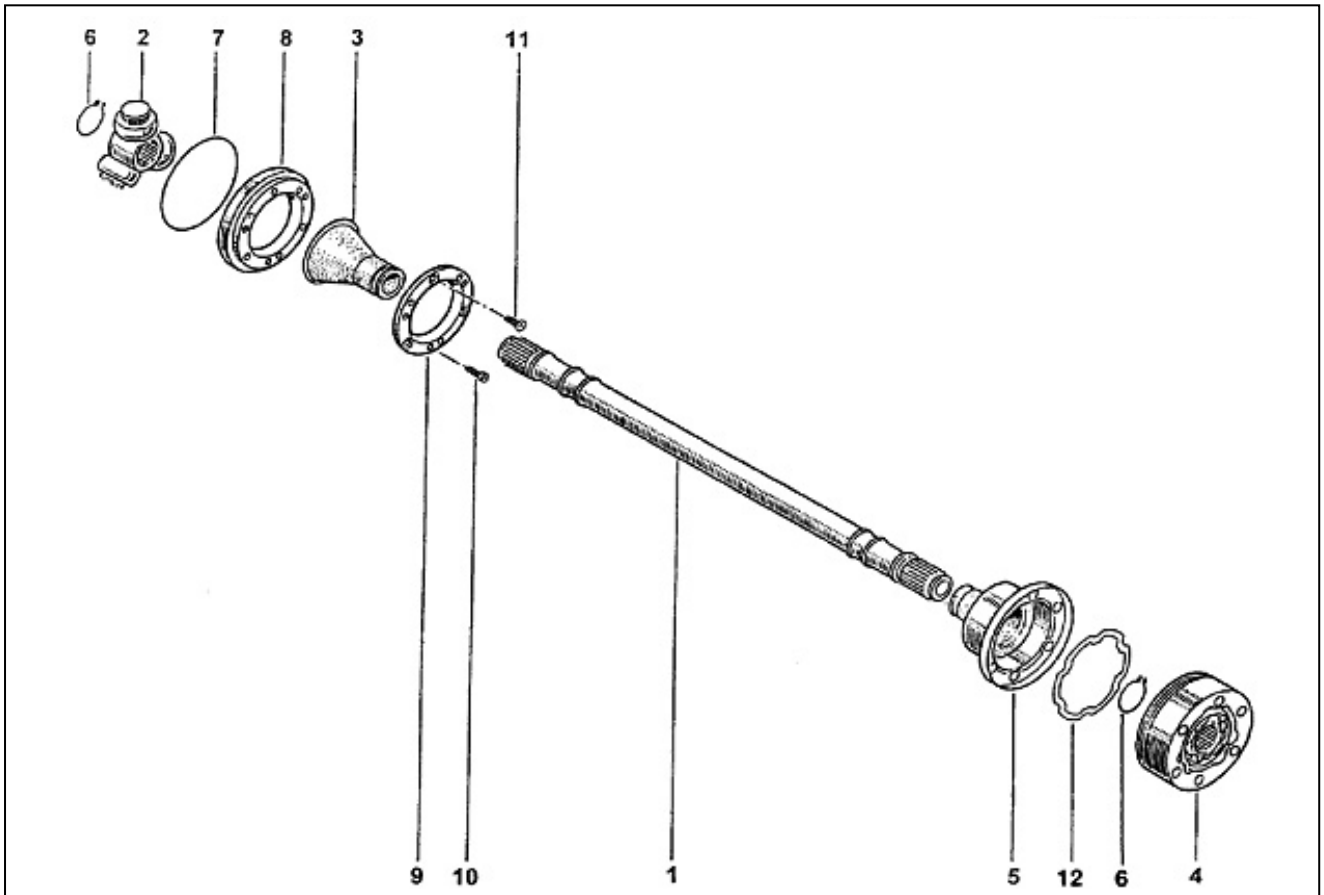
Heat shields are forbidden.

13B : Gearshift lever mounting

It is authorized to fit protection on the mounting to protect the driver.

NOMENCLATURE
2008 TECHNICAL REGULATIONS

DRIVESHAFT



	A	B	C	
1	X			77 11 154 109 77 11 154 143
2	X			77 11 150 539
3	X			77 11 154 167
4		X		77 11 154 150
5	X			77 11 154 175
6	X			77 03 066 085
7			X	01 00 201 037
8	X			01 00 852 221
9	X			01 00 852 221
10			X	01 00 301 079
11			X	01 00 303 019
12			X	77 11 154 175

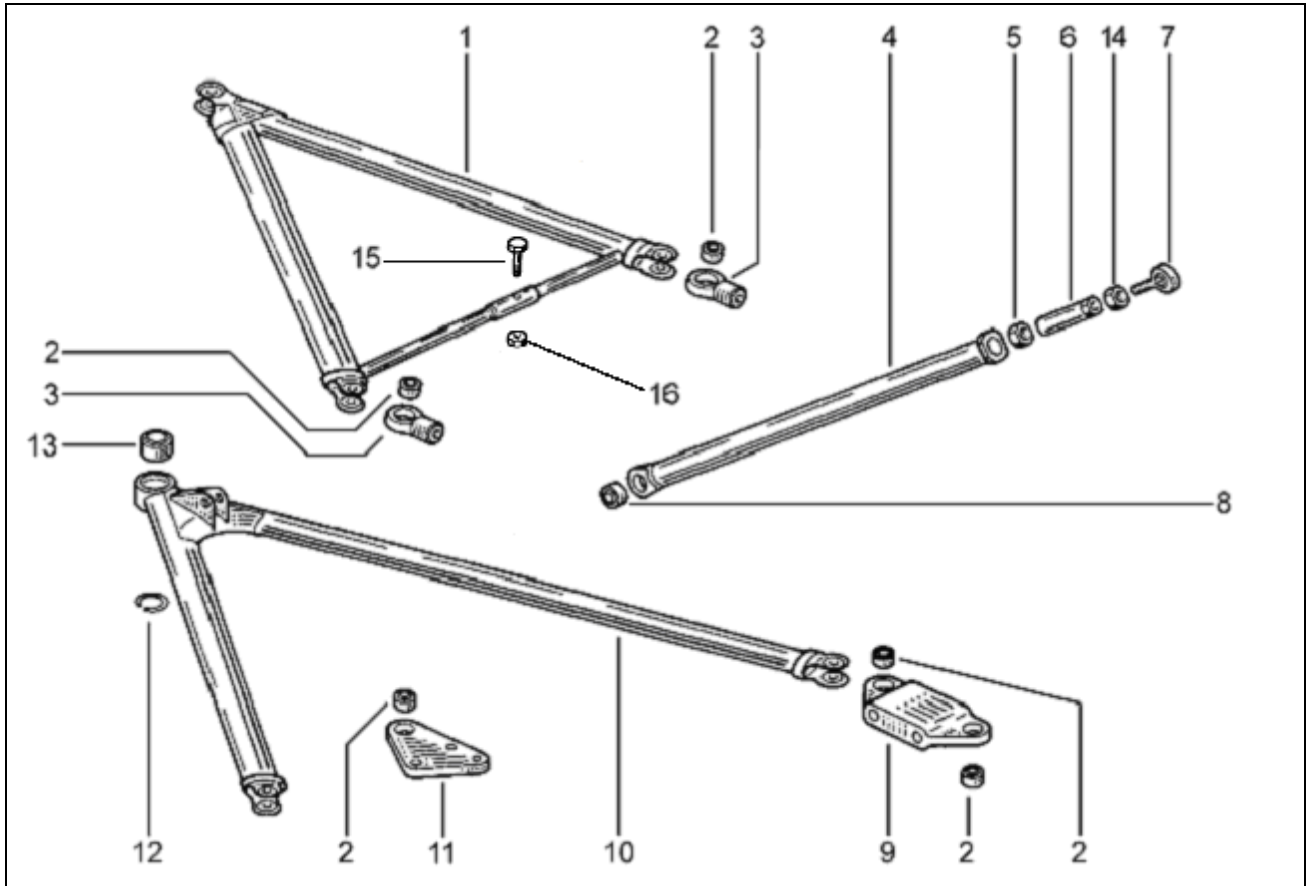
4B : Drive shaft tripod

It is allowed to mount it both ways.

NOMENCLATURE

2008 TECHNICAL REGULATIONS

FRONT WISHBONES AND PUSH ROD



	A	B	C	
1	X			77 11 154 452
2			X	77 11 154 458
3		X		77 11 154 458
4	X			77 11 154 464
5			X	77 11 154 698
6	X			77 11 154 455
7			X	77 11 154 697
8			X	77 11 154 464
9		X		77 11 154 461
10	X			77 11 154 460
11	X			77 11 154 456
12			X	77 11 154 531
13			X	77 11 154 716
14			X	77 11 154 699
15		X		77 11 154 778
16		X		77 11 154 776

3B : Upper wishbone support

It is authorized to interpose between the supports of the uppers front wishbones and the bodywork one or more setting shims to balance the castor angle between the right side and the left side.

The total thickness is 1.5 mm maximum behind each support.

This authorization intervenes with an aim of equalization of the castor angle and not of an adjustment.

9B : Lower wishbone mounting

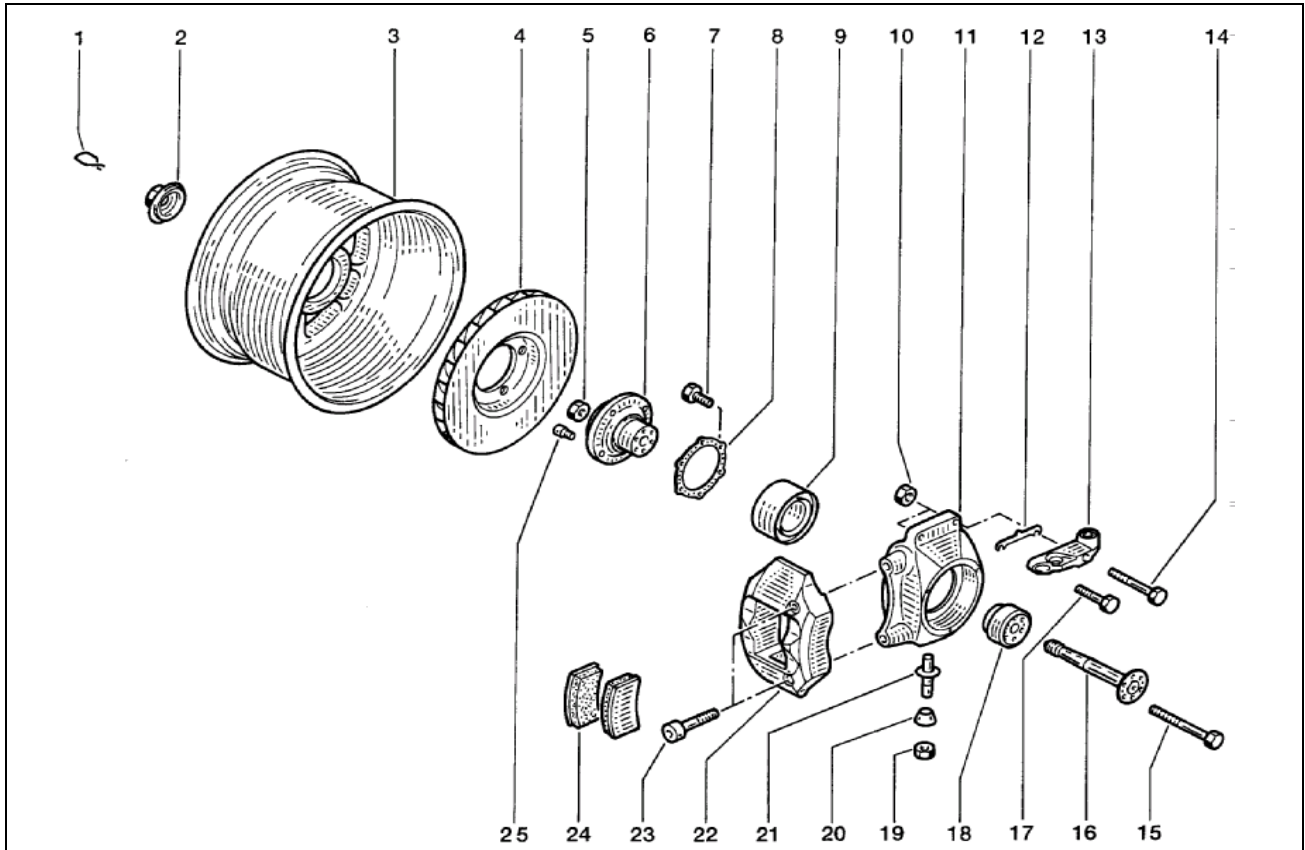
It is authorized to do a mark (with a drill bit).

15B 16B : anti-intrusion screw

The maintaining of the 2 anti-intrusion arms of the upper front wishbones by this screw / bolt assembly is not compulsory.

NOMENCLATURE 2008 TECHNICAL REGULATIONS

FRONT UPRIGHT



	A	B	C	
1	X			77 11 154 471
2		X		77 11 154 936 77 11 154 881
3		X		77 11 154 475
4		X		77 11 154 126
5			X	77 11 154 784
6	X			77 11 154 464
7			X	77 11 154 724
8	X			77 11 154 543
9		X		77 11 154 118
10			X	77 11 154 737
11	X			77 11 154 951
12		X		77 11 154 473 77 11 154 474
13	X			77 11 154 479

2B : Wheel nuts

Two types of wheel nuts are allowed:

Ref : **77 11 154 936**

Ref : **77 11 154 881**

3B : Wheel

It is allowed to paint the wheels without any dimensional modification.

4B : Brake disc

The minimum thickness is 17 mm.

9B : Hub carrier bearing

The characteristics of grease are free.

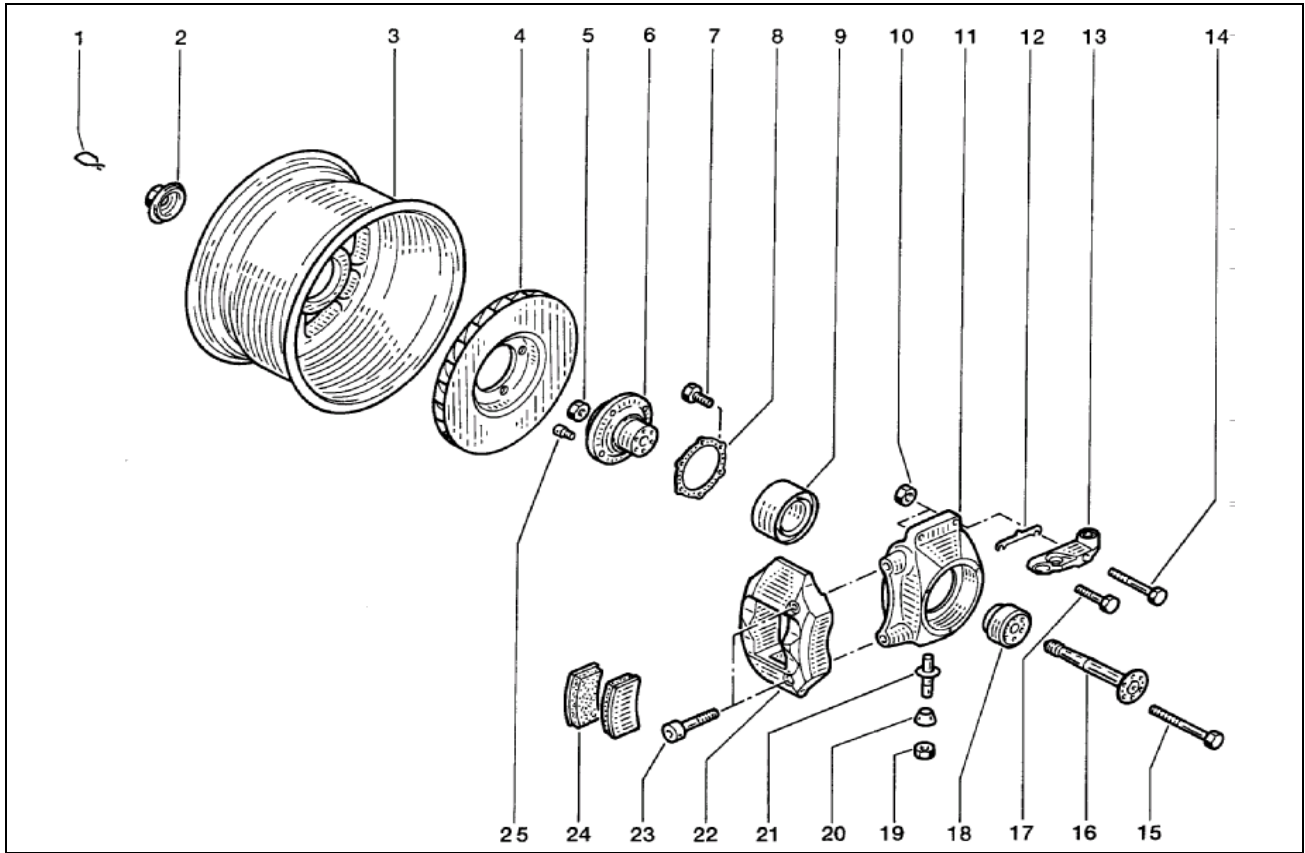
12B : Front camber adjusting shim

Only two types of adjusting shim are authorized:

- thickness : 1mm Ref : **77 11 154 473**
- thickness : 2mm Ref : **77 11 154 474**

NOMENCLATURE 2008 TECHNICAL REGULATIONS

FRONT UPRIGHT



	A	B	C	
14			X	77 11 154 723
15			X	77 11 154 725
16	X			77 11 154 551 77 11 154 935
17			X	77 11 154 722
18	X			77 11 154 469
19			X	77 11 154 721
20	X			77 11 154 480
21		X		77 11 154 470
22		X		77 11 154 122 77 11 154 123
23			X	77 11 154 744
24		X		77 11 154 251
25	X			77 11 154 472

21B : Front axle pivot

It is allowed to modify the front axle pivot to improve its hold according to the procedure described in the User Manual 2008 (Page 31.4).

22B : Brake calliper

The springs of the pistons are free and can be remove.

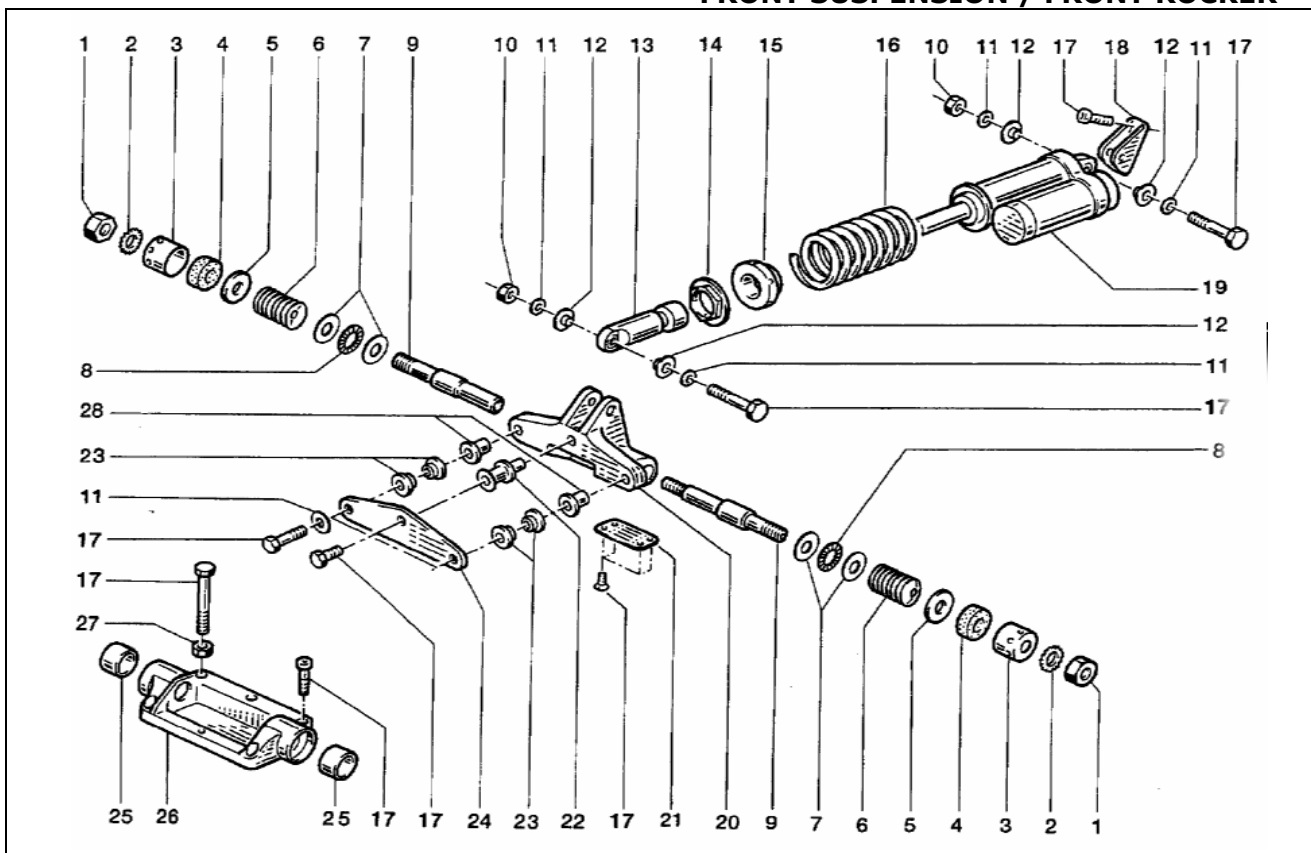
24B : Front brake pads

The quality of the friction material is free. The surface in contact with the disc can not exceed the surface of the original pad.

NOMENCLATURE

2008 TECHNICAL REGULATIONS

FRONT SUSPENSION / FRONT ROCKER



	A	B	C	
1			X	77 11 154 785
2			X	77 11 154 489
3	X			77 11 154 490
4		X		77 11 154 491
5	X			77 11 154 492
6		X		77 11 154 493
7			X	77 11 154 494
8			X	77 11 154 494
9	X			77 11 154 496
10			X	77 11 154 701
11			X	77 11 154 758
12	X			77 11 154 486
13	X			77 11 154 485
14		X		77 11 154 506
15		X		77 11 154 566

4B : Spacer

The width of this spacer is free.

6B : « Belleville » washers

The number of washers is free.

14B : Front suspension spring lock-nut

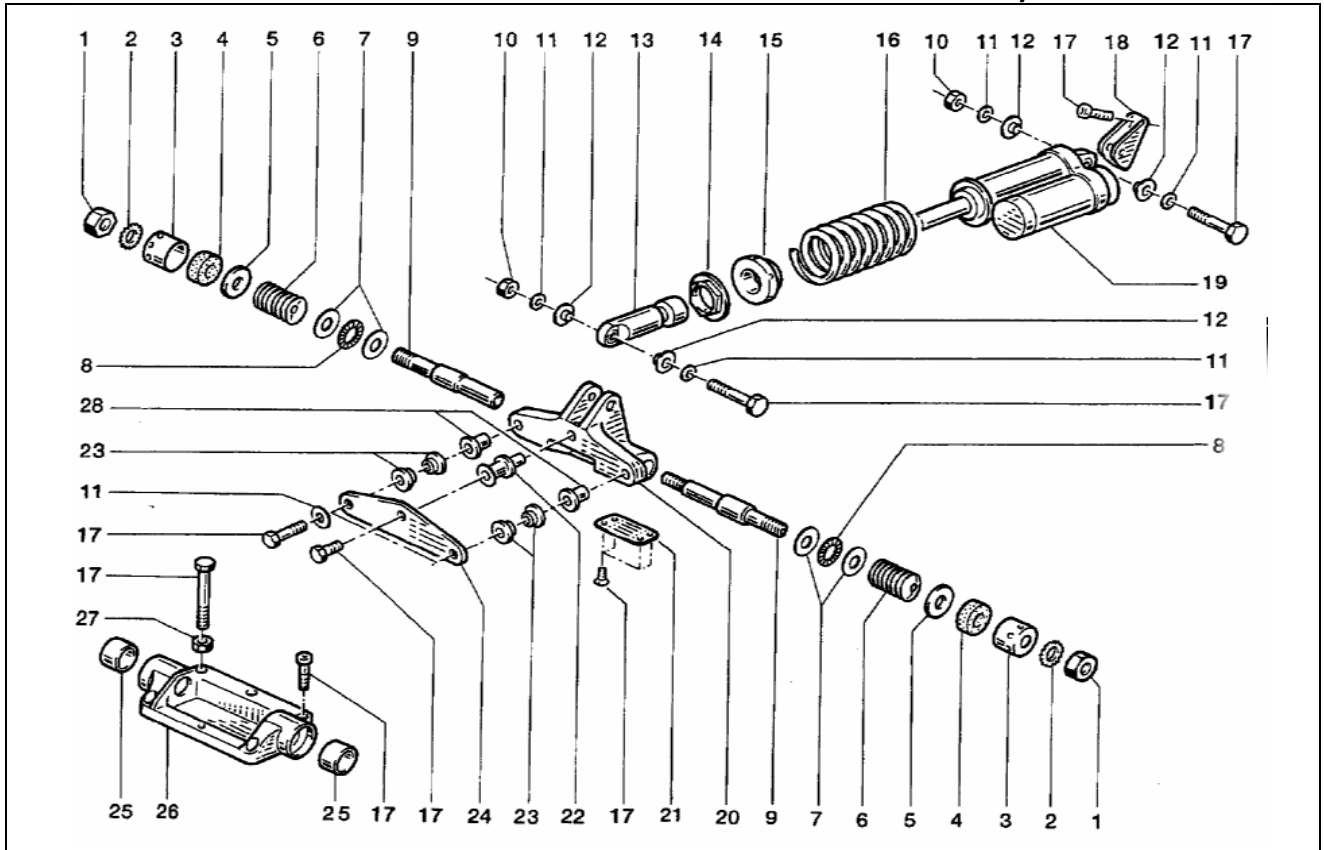
It is authorized to fit a suspension spring lock-nut. Only the lock-nut Ref : **77 11 154 506** is authorized.

15B : Damper cup

It is allowed to do through hole to use a punch screw to prevent the cup from releasing.

NOMENCLATURE
2008 TECHNICAL REGULATIONS

FRONT SUSPENSION / FRONT ROCKER



	A	B	C	
16		X		See opposite
17			X	77 11 154 735
18	X			77 11 154 487
19		X		77 11 154 504
20	X			77 11 154 497
21		X		77 11 154 505
22	X			77 11 154 501
23	X			77 11 154 534
24	X			77 11 154 500
25	X			77 11 154 502
26		X		77 11 154 482
27			X	77 11 154 796
28	X			77 11 154 498

16B : Front suspension springs

77 11 154 702 / 703 / 704 / 705 / 706 / 707

Six types of spring are authorized: 700-800-900-1000-1100-1200 Ibs/inch. Original Renault Sport springs must be used.

19B : Front damper

Ref : 152 oil damper must be used.

21B : Support pads

It is allowed to install a support pad for the front suspension rebound stop. Only the plate bearing ref **77 11 154 505** is authorized.

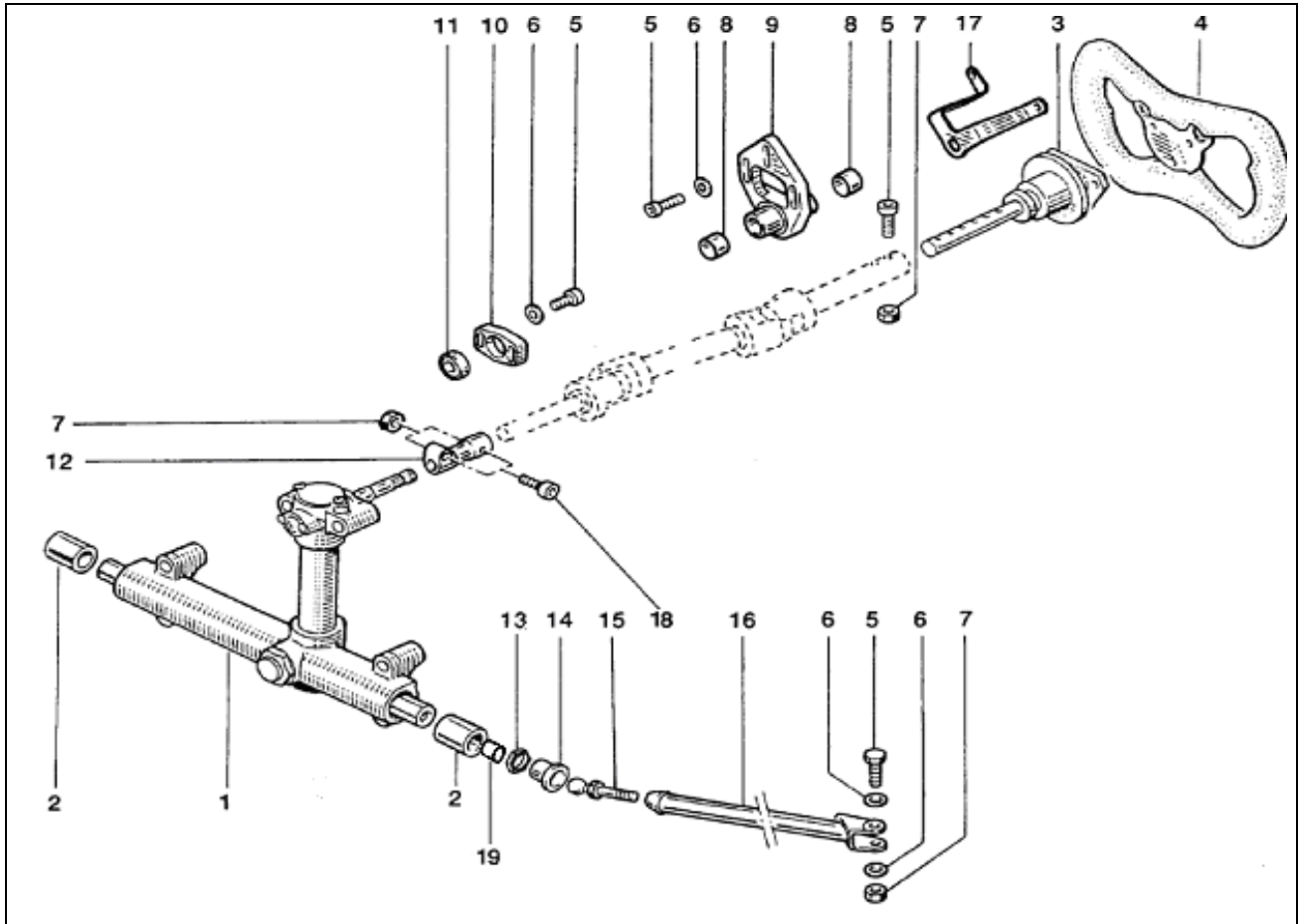
26B : Rocker support

It is allowed to fit a roll-sensor on the rocker.

NOMENCLATURE

2008 TECHNICAL REGULATIONS

STEERING ASSEMBLY



	A	B	C	
1	X			77 11 154 110
2	X			77 11 154 273
3	X			77 11 154 303
4		X		77 11 154 934
5			X	77 11 154 788
6			X	77 11 154 901
7			X	77 11 154 743
8	X			77 11 154 516
9	X			77 11 154 508
10	X			77 11 154 517
11	X			77 11 154 517
12	X			77 11 154 510
13	X			77 11 154 514
14	X			77 11 154 512
15	X			77 11 154 515
16		X		77 11 154 513
17		X		77 11 154 520
18		X		77 11 154 739
19	X			77 11 154 511

4B : Steering wheel

The steering wheel rim must be continuously closed but the shape is free in accordance with the F.I.A. F3 regulation appendix J.

16B : Steering arm

It is permitted to fit an O ring to either side of ball joint located on upright support bracket to prevent chafing.

17B : Dashboard controls-bracket

Dashboard bracket may be removed and control switches relocated.

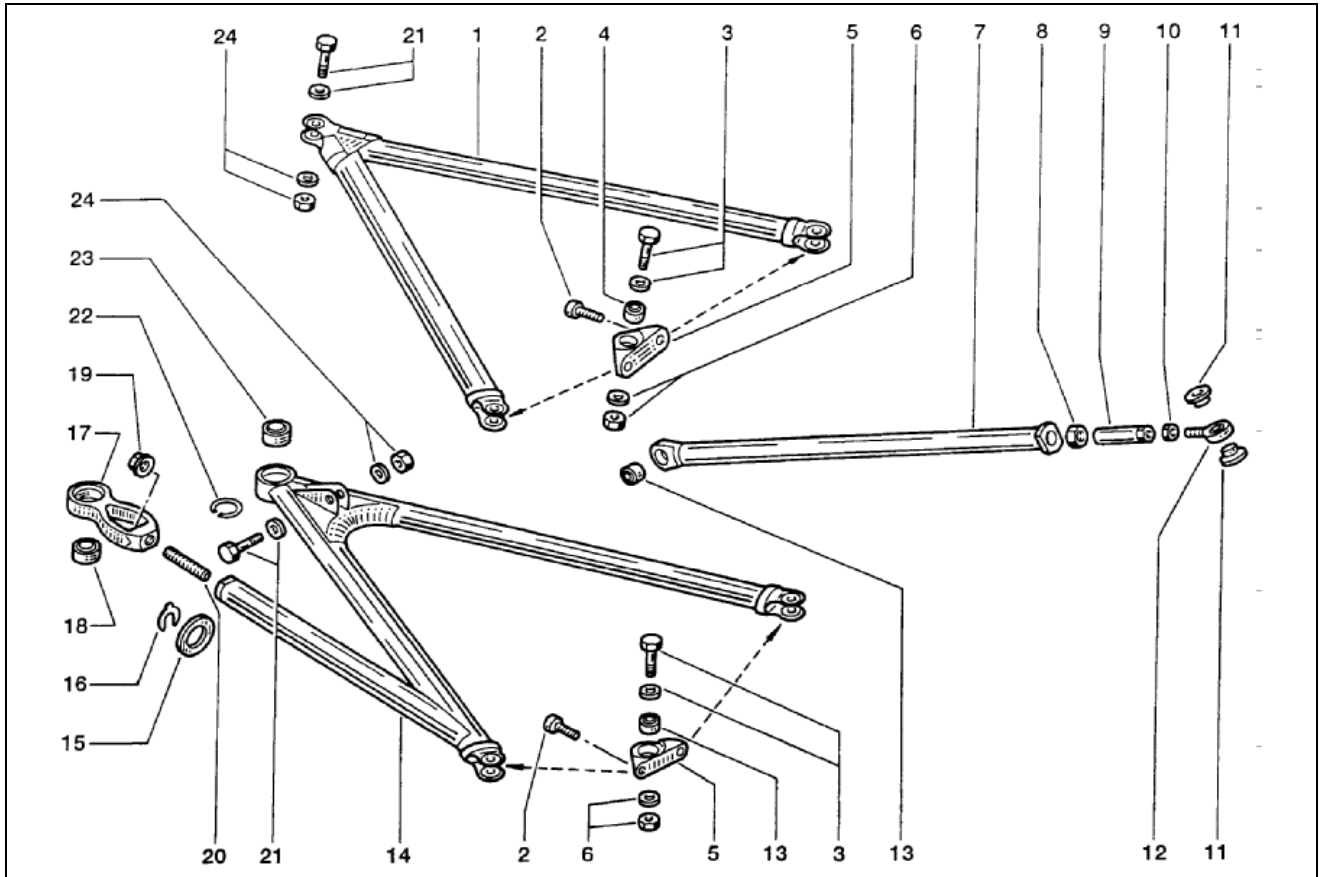
18B : Fixation screw for the steering column

The screw is free, it is allowed to replace it by a ¼ NAS screw to get rid of free play.

NOMENCLATURE

2008 TECHNICAL REGULATIONS

REAR WISHBONES AND PUSH ROD



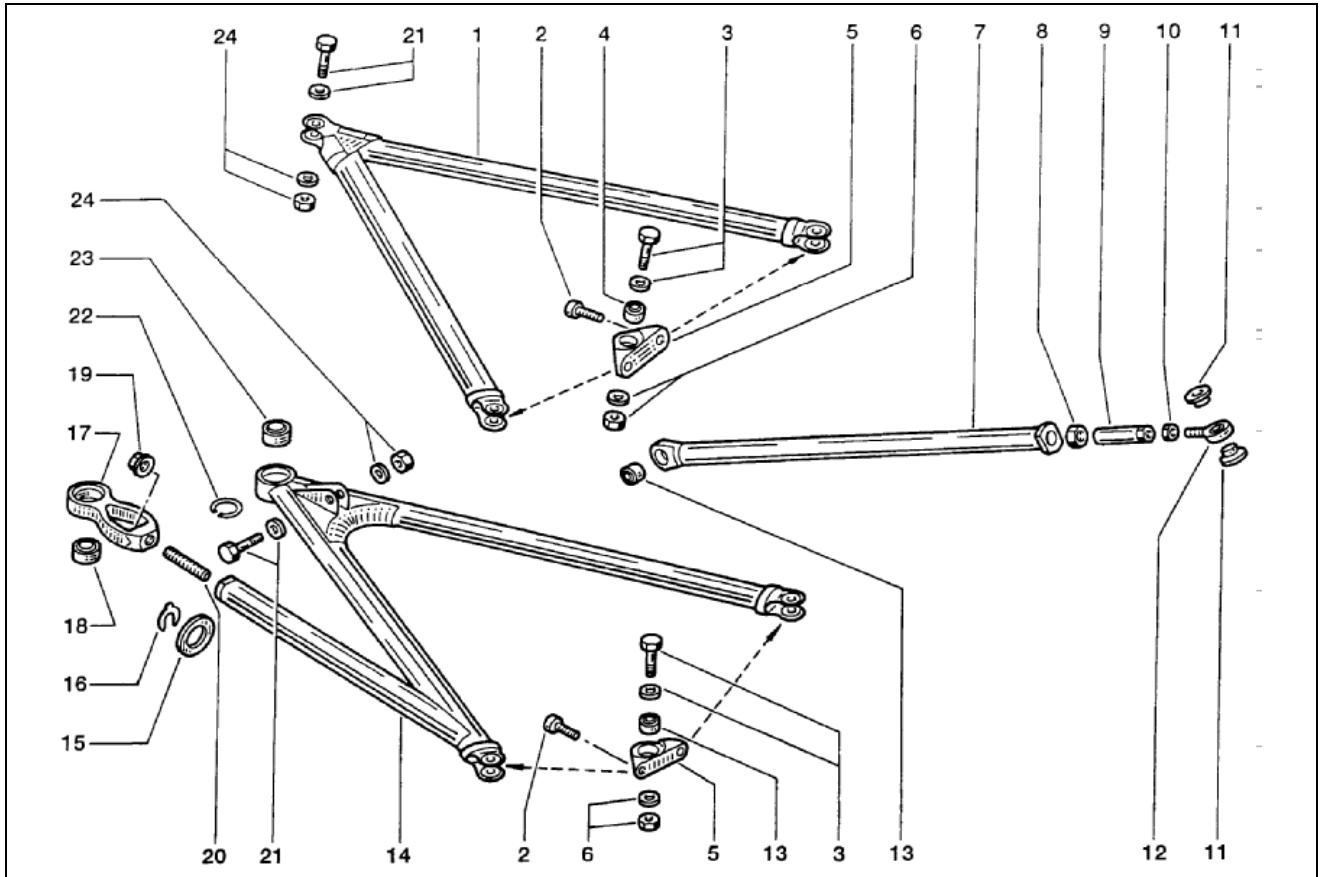
	A	B	C	
1		X		77 11 154 538
2			X	77 11 154 735
3			X	77 11 154 696 77 11 154 758
4			X	77 11 154 535
5	X			77 11 154 535
6			X	77 11 154 701 77 11 154 712
7		X		77 11 154 532
8			X	77 11 154 698
9	X			77 11 154 455
10			X	77 11 154 699
11	X			77 11 154 534
12			X	77 11 154 697

1B 7B : Upper wishbone and rear right push

It is authorized to stick a thermal protection to protect from the exhaust radiation.

**NOMENCLATURE
2008 TECHNICAL REGULATIONS**

REAR WISHBONES AND PUSH ROD



	A	B	C	
13			X	77 11 154 532
14		X		77 11 154 879
15			X	77 11 154 536
16		X		77 11 154 530
				77 11 154 529
				77 11 154 528
17	X			77 11 154 539
18			X	77 11 154 539
19			X	77 11 154 711
20	X			77 11 154 527
21			X	77 11 154 695
				77 11 154 738
22			X	77 11 154 431
23			X	77 11 154 716
24			X	77 11 154 694
				77 11 154 738

14B : Lower wishbone

Only the reinforced lower wishbones are allowed. It is also authorized to stick a thermal protection to protect from the exhaust radiation.

16B : Rear toe adjusting shims

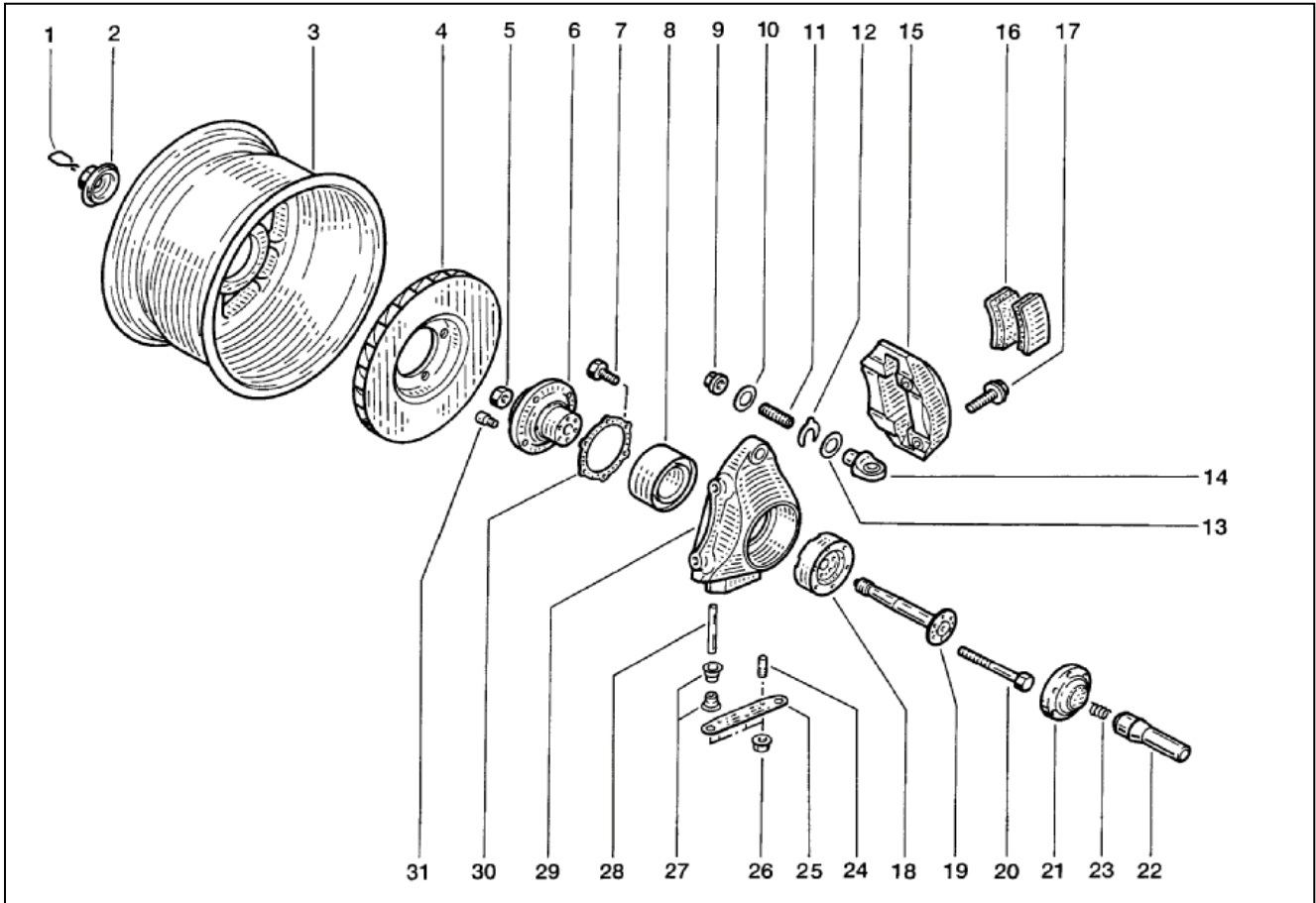
Three types of shims are authorized:

- thickness: 1 mm Ref : **77 11 154 530**
- 0,5 mm Ref : **77 11 154 529**
- 0,3 mm Ref : **77 11 154 528**

It is allowed to retain the spacers.

NOMENCLATURE 2008 TECHNICAL REGULATIONS

REAR UPRIGHT



	A	B	C	
1	X			77 11 154 471
2		X		77 11 154 881 77 11 154 936
3		X		77 11 154 541
4		X		77 11 154 126
5			X	77 11 154 729
6		X		77 11 154 464
7			X	77 11 154 724
8		X		77 11 154 118
9			X	77 11 154 721
10			X	77 11 154 561
11	X			77 11 154 546
12		X		77 11 154 547 77 11 154 548
13	X			77 11 154 548
14	X			77 11 154 550
15		X		77 11 154 124 77 11 154 125

2B : Wheel nuts

Two types of nut are allowed:

Ref : **77 11 154 881** Ref : **77 11 154 936**

3B : Wheel

It is allowed to paint the wheels without any dimensional modification

4B : Brake disc

The minimum thickness is 17 mm.

6B : Hub

It is allowed to surface the interior face of the hub provided that respect the 32,9 mm ± 0.05 quotation in relation to the shoulder of the bearing (see 2008 Technical bulletin n° 2)

8B : Hub carrier bearing

The characteristics of grease are free.

12B : Rear camber adjusting shims

Two types of shims are authorized:

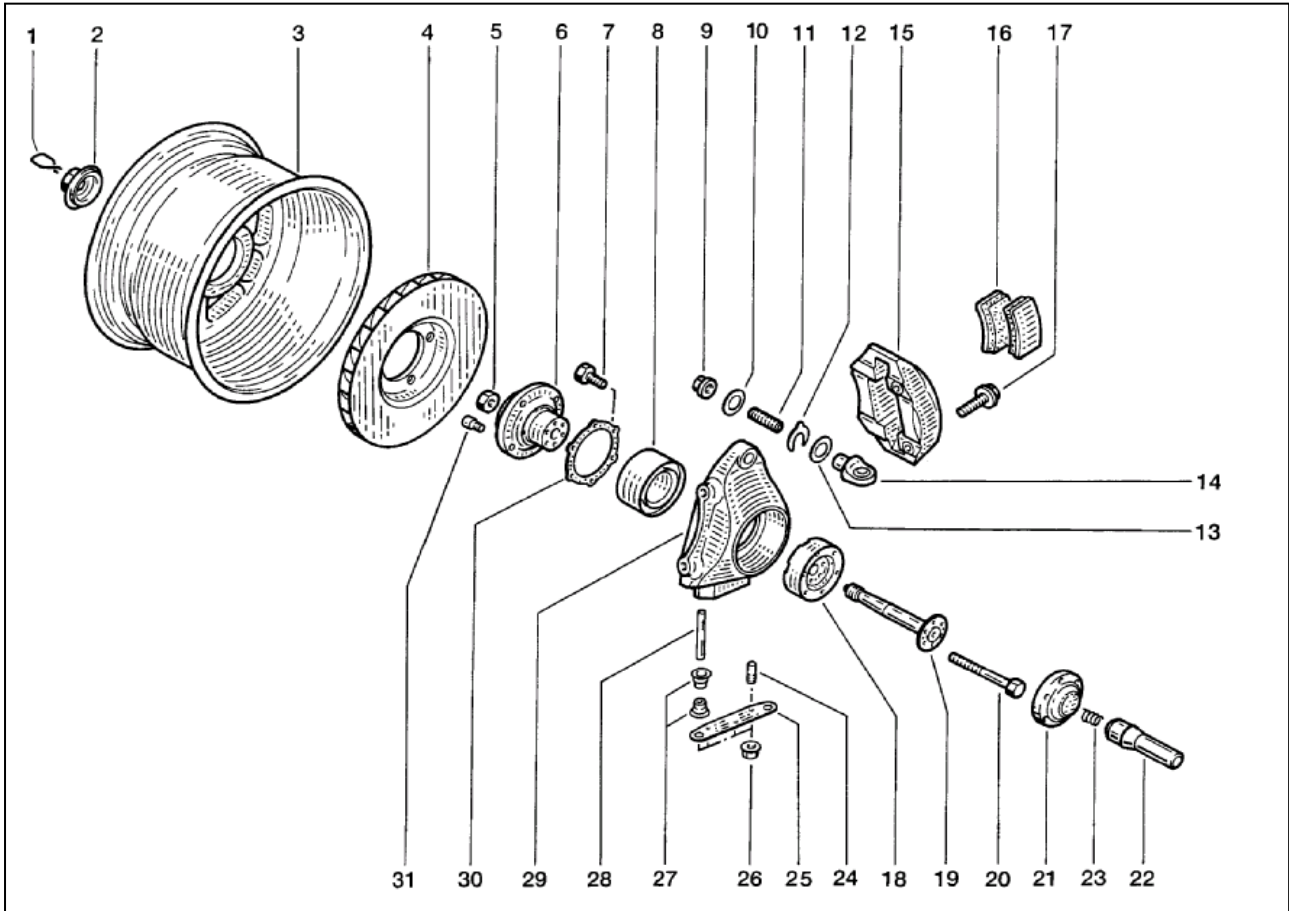
- thickness: 1 mm ref : 77 11 154 547 and 2 mm ref : 77 11 154 548

15B : Brake calliper

The springs of the pistons are free and can be remove.

NOMENCLATURE
2008 TECHNICAL REGULATIONS

REAR UPRIGHT



	A	B	C	
16		X		77 11 154 251
17			X	77 11 154 744
18	X			77 11 154 545
19		X		77 11 154 551 77 11 154 935
20			X	77 11 154 730
21	X			77 11 154 175 77 11 154 150
22	X			77 11 163 143
23	X			77 11 154 562
24	X			77 11 154 553
25	X			77 11 154 555
26			X	77 11 154 743 77 11 154 729
27	X			77 11 154 554 77 11 154 560
28	X			77 11 154 552
29	X			77 11 154 544
30	X			77 11 154 543
31	X			77 11 154 472

16B : Rear brake pads

The quality of the friction material is free. The surface in contact with the disc can not exceed the surface of the original pad.

19B : Hub axle

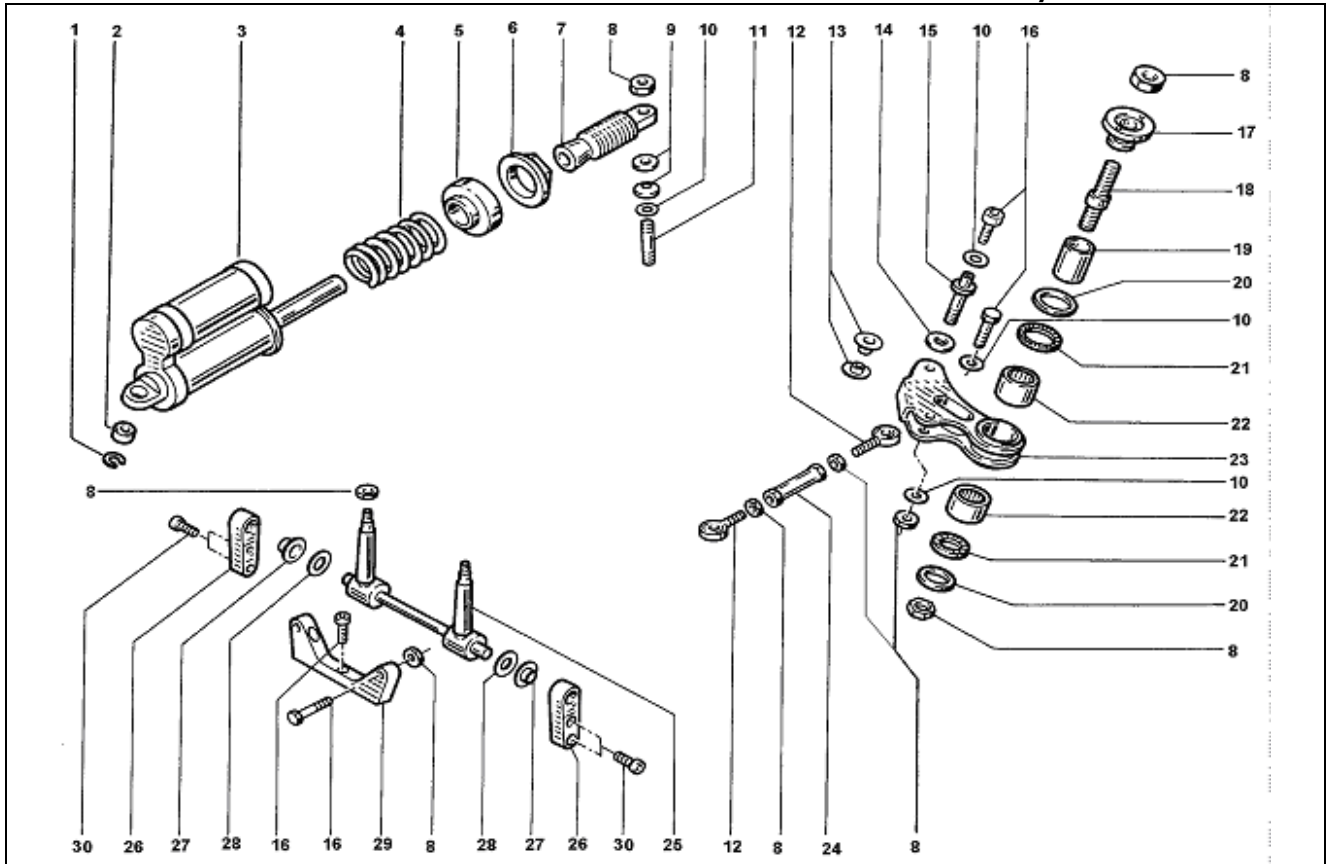
Two types of hub axle are allowed:

Ref : **77 11 154 935**

Ref : **77 11 154 551**

NOMENCLATURE 2008 TECHNICAL REGULATIONS

REAR SUSPENSION / REAR ROCKER



	A	B	C	
1			X	77 11 154 589
2			X	77 11 154 572
3		X		77 11 154 568 77 11 154 569
4		X		See opposite
5		X		77 11 154 566
6		X		77 11 154 593
7	X			77 11 154 567
8			X	77 11 154 701 77 11 154 714 77 11 154 729 77 11 154 792 77 11 154 794 77 11 154 796 77 11 154 866
9			X	77 11 154 571
10			X	77 11 154 791
11		X		77 11 154 570
12			X	77 11 154 727 77 11 154 728
13			X	77 11 154 592
14			X	77 11 154 780
15	X			77 11 154 580

3B : Rear damper

Ref : 152 oil damper must be used.

4B : Rear suspension springs

77 11 154 702 / 703 / 704 / 705 / 706 / 707

Six types of spring are authorized:

700-800-900-1000-1100-1200 lbs/inch.

Original Renault Sport springs must be used.

5B : Damper cup

To prevent the cup from releasing, it is allowed to drill a through hole to use a punch screw.

6B : Rear suspension spring lock-nut

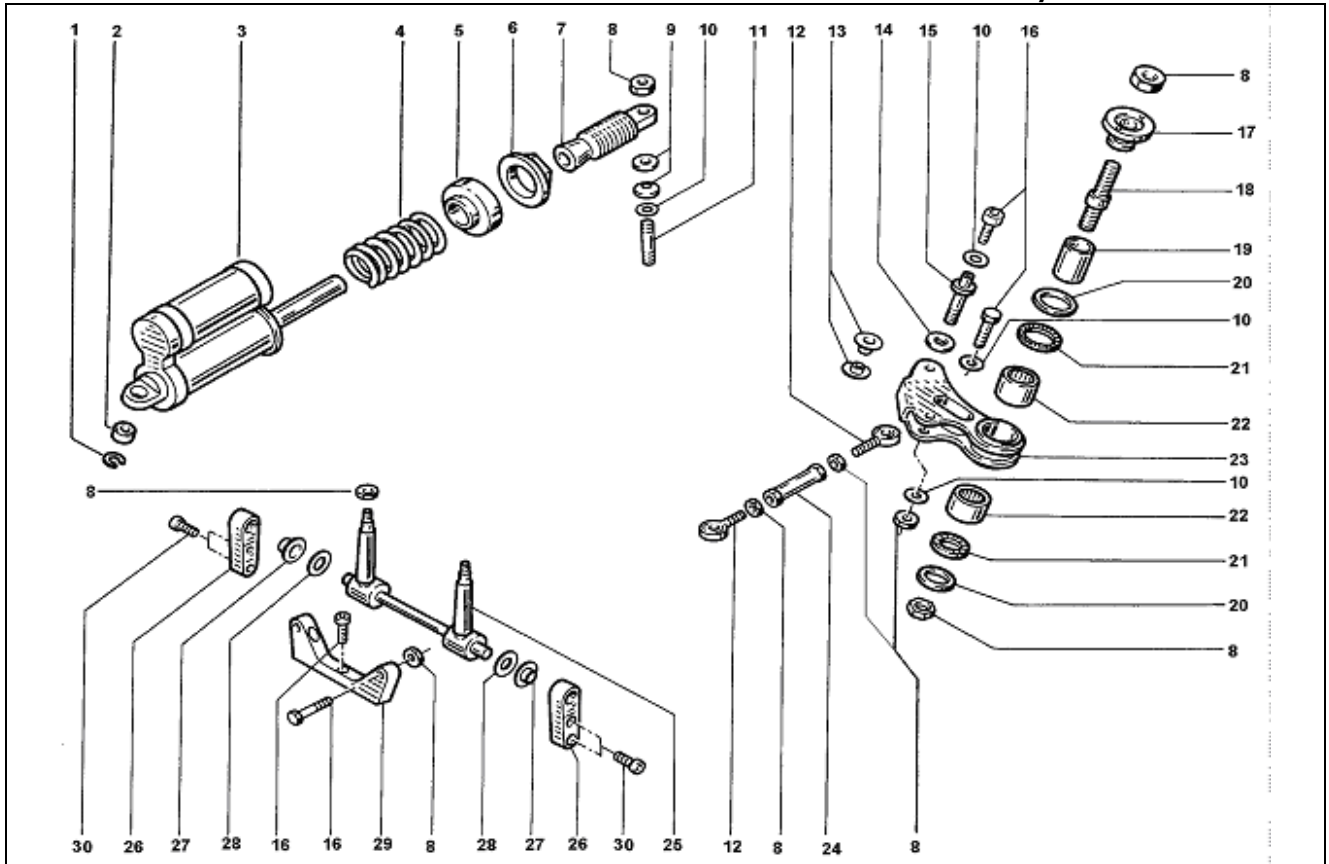
It is authorized to fit a suspension spring lock-nut. Only the lock-nut ref. 77 11 154 593 is authorized.

11B : Shock absorber stud

It is allowed to use a washer of a bigger diameter than the uniball under the bolt.

NOMENCLATURE 2008 TECHNICAL REGULATIONS

REAR SUSPENSION / REAR ROCKER



	A	B	C	
16			X	77 11 154 700 77 11 154 793
17	X			77 11 154 573
18			X	77 11 154 574
19	X			77 11 154 575
20	X			77 11 154 576
21	X			77 11 154 577
22	X			77 11 154 578
23	X			77 11 154 579
24	X			77 11 154 947 77 11 154 581
25		X		See opposite
26	X			77 11 154 586
27	X			77 11 154 587
28			X	77 11 154 588
29	X			77 11 154 582
30			X	77 11 154 735

25B : Anti roll bar

Three types of anti roll bar are authorized:

Ref : 77 11 154 583 : Ø 13 mm ;

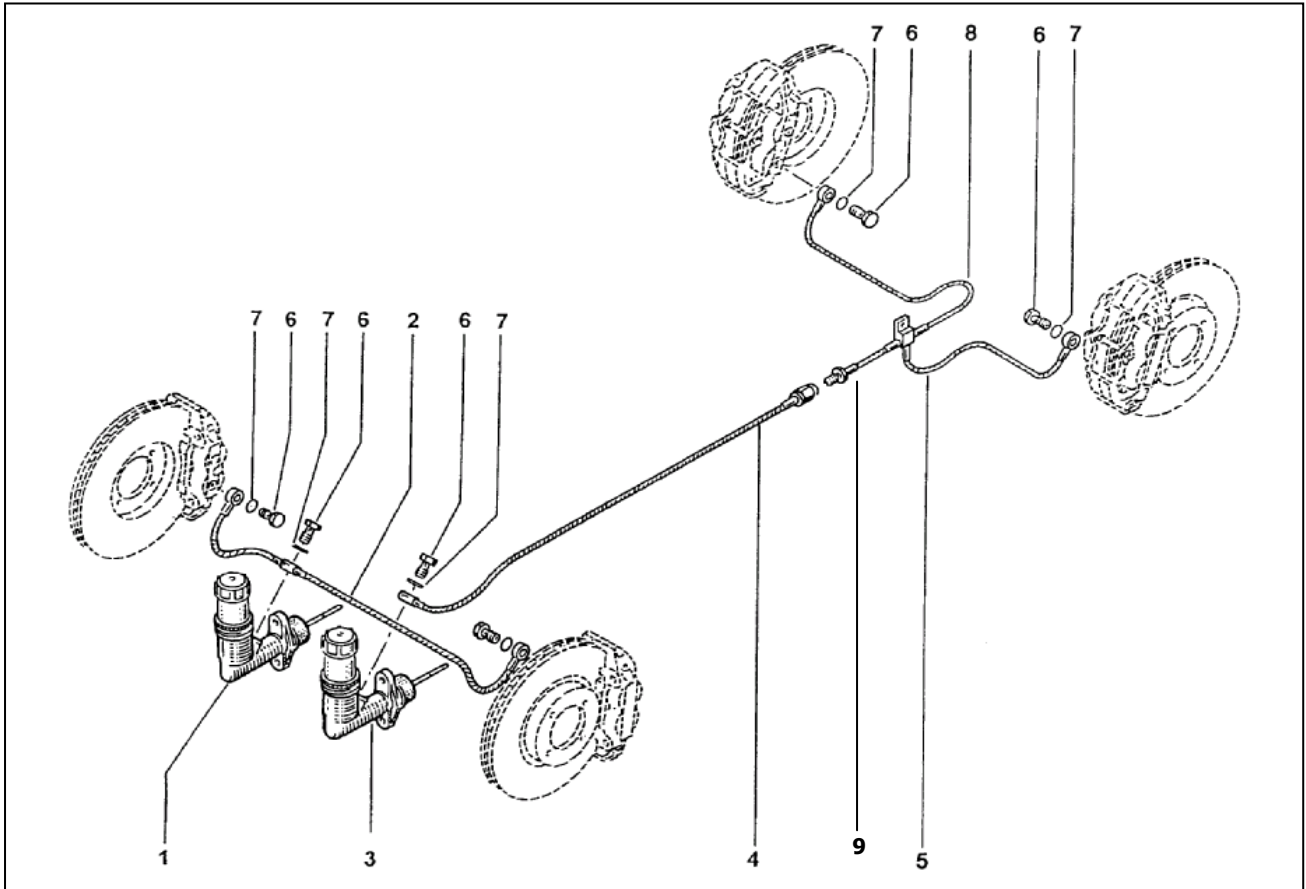
77 11 154 584 : Ø 15 mm ;

77 11 154 585 : Ø 17 mm.

It is allowed to disconnect rear anti roll bar.

NOMENCLATURE 2008 TECHNICAL REGULATIONS

BRAKE SYSTEM



	A	B	C	
1		X		77 11 154 146 77 11 154 147 77 11 154 148
2	X			77 11 154 151
3		X		77 11 154 146 77 11 154 147 77 11 154 148
4	X			77 11 154 152
5		X		77 11 154 160
6	X			77 11 153 550
7			X	77 11 156 532
8		X		77 11 156 160
9		X		77 11 156 160

1B 3B : Brake and clutch master cylinders

It is authorized to mix the brake and clutch master cylinders on the vehicle.
The length of the rod of the master cylinder is free.
The presence of the master cylinder upper panels is not compulsory.

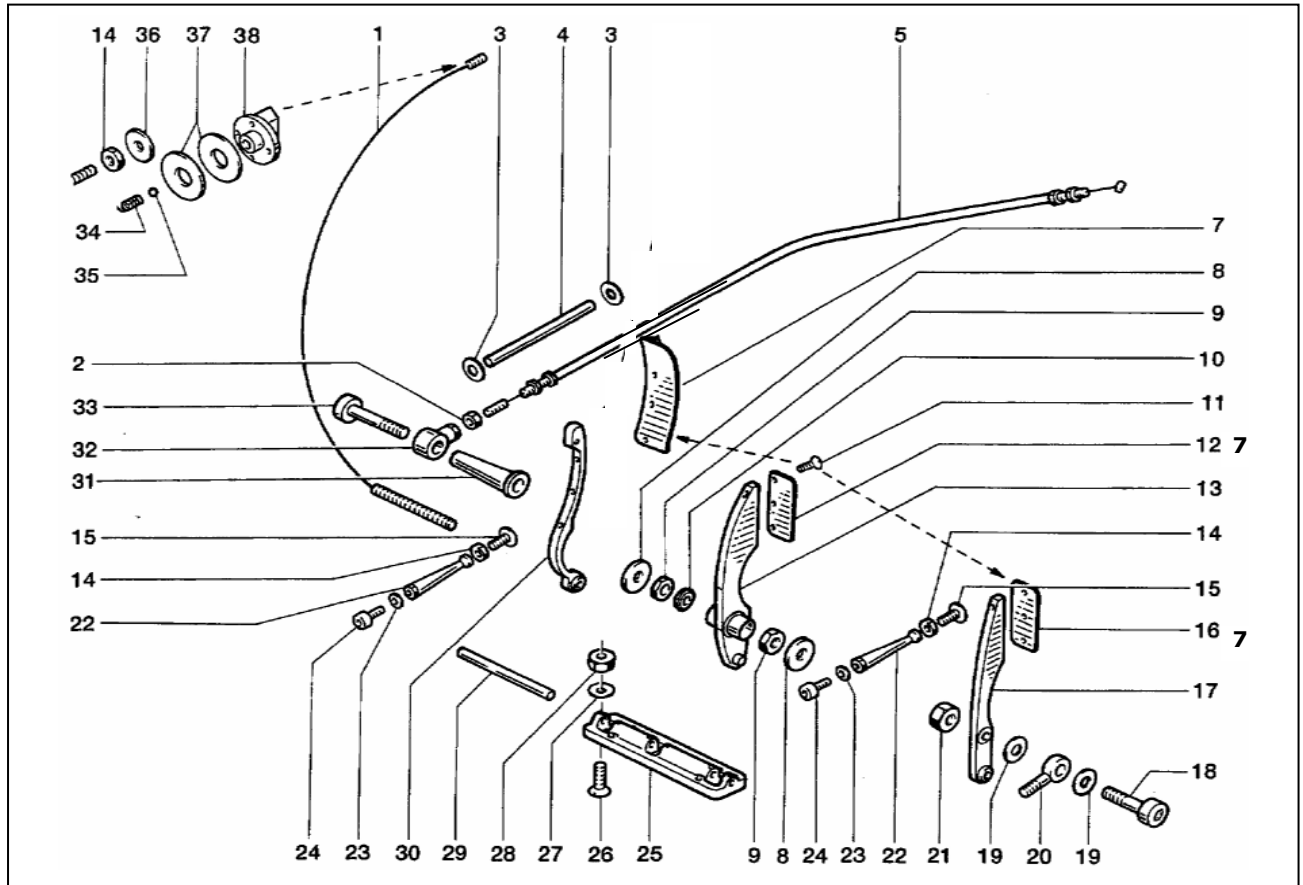
5B 8B 9B : Rear brake pipe

It is allowed:

- to fit heat resistant wrap/sheathing to the rear brake pipe.
- to install a coupler on the rear brake pipe.

**NOMENCLATURE
2008 TECHNICAL REGULATIONS**

PEDAL ASSEMBLY



	A	B	C	
1	X			77 11 154 842
2			X	77 11 154 842
3			X	
4			X	
5		X		77 11 154 144
7			X	77 11 154 610
8			X	77 11 154 888
9		X		77 11 154 740
10	X			
11			X	77 11 154 887
13	X			77 11 154 607
14		X		77 11 154 860
15			X	77 11 154 612
17	X			77 11 154 605
18			X	77 11 154 885
19			X	77 11 154 787
20	X			77 11 154 797
21			X	77 11 154 743

	A	B	C	
22			X	77 11 154 611
23			X	77 11 154 780
24			X	77 11 154 886
25		X		77 11 154 603
26			X	77 11 154 779
27			X	77 11 154 781
28			X	77 11 154 867
29	X			77 11 154 604
30	X			77 11 154 609
31	X			77 11 154 615
32	X			77 11 154 798
33			X	77 11 154 868
34	X			77 11 154 617
35	X			77 11 154 618
36		X		
37		X		77 11 154 791
38	X			77 11 154 619

5B : Throttle cable

It is allowed:

- to fit heat resistant wrap-sheathing to the throttle cable in the area above the engine.
- to cut the end of the cable protection on the pedal side.

9B : Adjusting washer

The use of this part is not compulsory.

25B : Pedals support

It is allowed to fix a foot rest between the monocoque and the support.

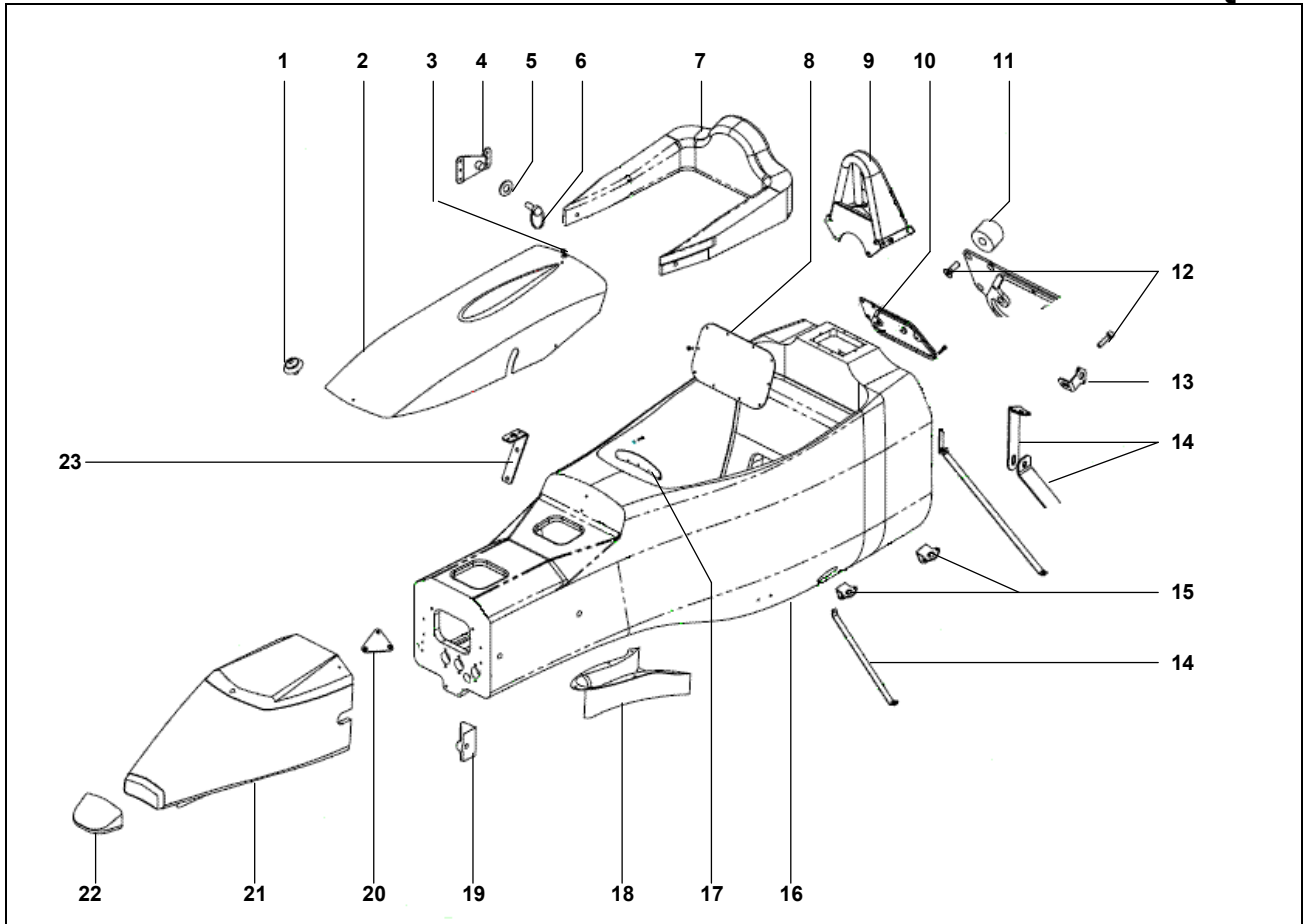
14B 36B 37B :

Two mountings types are allowed:

- 1st mounting: parts 14 et 36
- 2nd mounting: part 37.

**NOMENCLATURE
2008 TECHNICAL REGULATIONS**

MONOCOQUE



	A	B	C	
1	X			77 00 154 360 77 00 154 749
2		X		77 11 163 091
3	X			77 11 154 360
4	X			77 11 154 363
5			X	77 11 154 896
6	X			77 11 154 362
7	X			77 11 154 355
8	X			77 11 154 357
9	X			77 11 154 352
10	X			77 11 154 356
11	X			77 11 154 371
12			X	77 11 154 869 77 11 154 897
13		X		77 11 154 750

2B : Front cover

It is allowed:

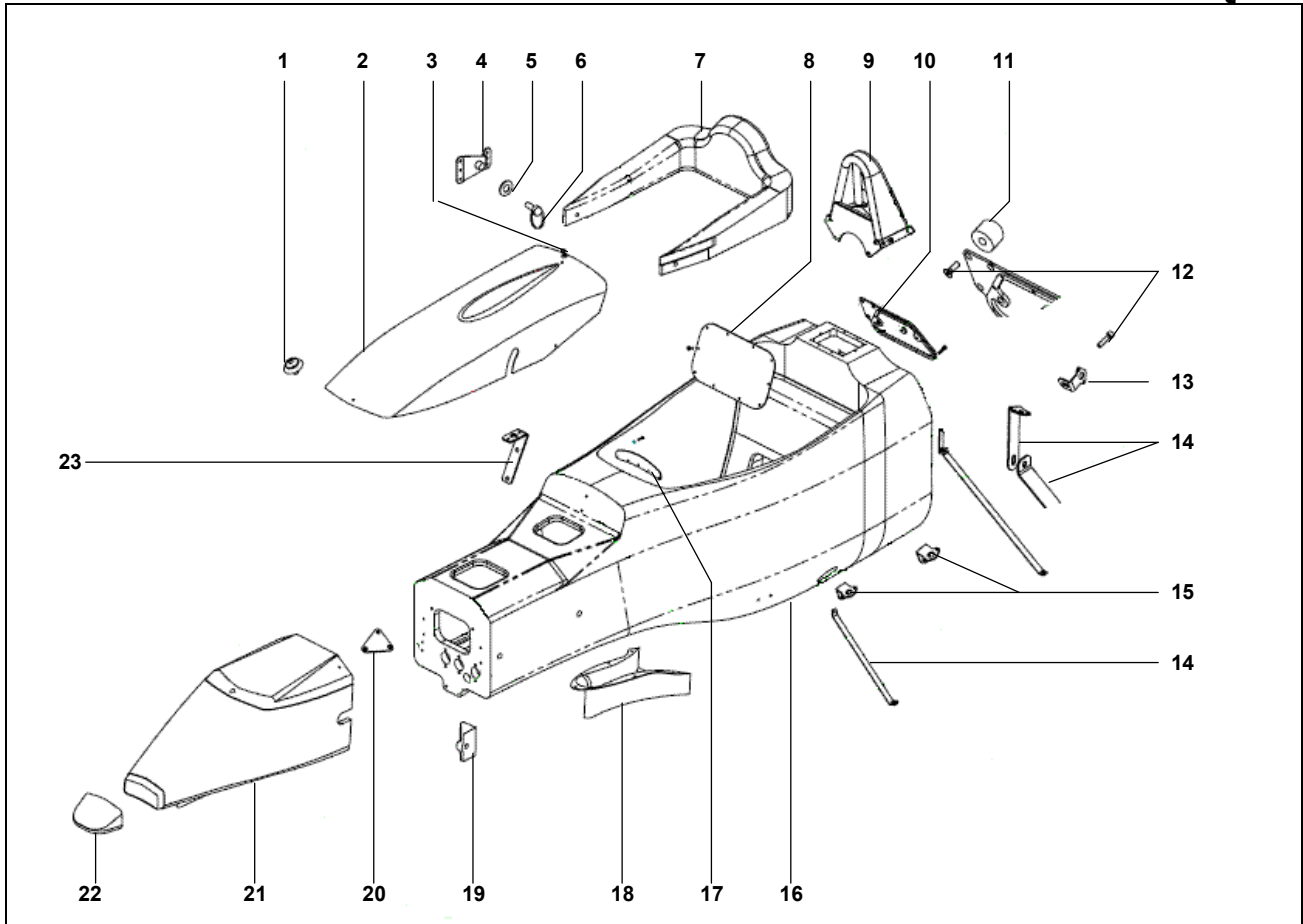
- to fit a « camloc » retaining clip to either side of the front cover as per the diagram in the User Guide 2008 (page 40-1).
- to carry out repairs to front cover as long as the original shape and weight are retained.
- to apply adhesive tape on the panel fixings. Its only function shall be to block the fixings. Under no circumstances shall it be used to connect several items.
- to drill the front cover in order to permit the radio aerial passage.

13B : Engine cover fixation mounting

The support for Dzus system is free.

NOMENCLATURE 2008 TECHNICAL REGULATIONS

MONOCOQUE



	A	B	C	
14	X			77 11 154 753 77 11 163 106 77 11 163 118 77 11 163 119
15	X			77 11 154 751
16		X		77 11 154 350
17		X		77 11 154 372
18		X		77 11 163 096
19	X			77 11 163 089
20		X		77 11 163 090
21		X		77 11 163 071
22		X		77 11 163 070
23	X			77 11 154 752

16B 21B : Chassis and crashbox

Any repairs to the chassis and/or crashbox must be accompanied by a written declaration by the entrant to the Renault Sport scrutineers. It must also be mentioned in the vehicle's technical passport.

It is authorized to stick a thermal protection of adhesive aluminium tape on the back face of the bodywork, in front of the engine.

17B : Upper deflector

It is authorized to fit a deflector. Only the deflector ref. 77 11 154 372 sold by Renault Sport is authorized.

18B : Deflector

It is authorized to repair without change in form and weight.

20B : Crashbox fixation support

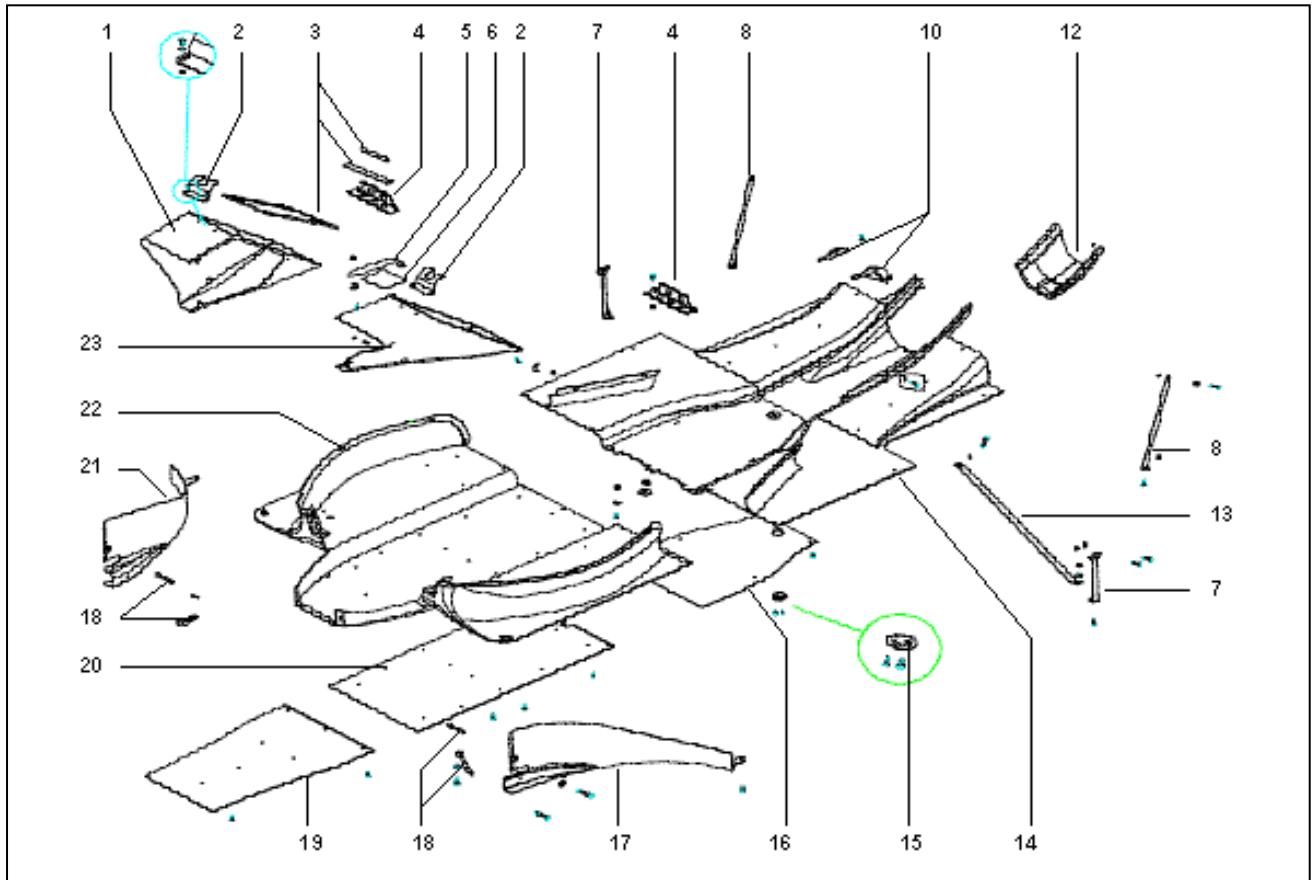
It is allowed to enlarge the crashbox fixation hole in order to make the mounting easier.

22B : Crash box end part

The end part of the crash box can not be repaired. It can be substituted following the procedure in the User Manual 2008 (page 40-5).

NOMENCLATURE 2008 TECHNICAL REGULATIONS

UNDERFLOOR



	A	B	C	
1		X		77 11 163 108
2		X		77 11 154 390
3			X	77 11 154 832
4		X		77 11 154 826
5			X	77 11 154 401
6			X	77 11 154 833
7	X			77 11 154 115
8	X			77 11 154 827 77 11 154 828
10	X			77 11 163 116
12		X		77 11 163 099
13		X		77 11 154 809
14		X		77 11 154 804
15	X			77 11 154 389
16		X		77 11 154 825
17		X		77 11 163 092
18	X			77 11 163 094 77 11 163 095
19		X		77 11 154 808
20		X		77 11 154 807
21		X		77 11 163 093
22		X		77 11 163 097
23		X		77 11 163 107

1B 12B 14B 17B 21B 22B 23B :

It is allowed to repair without change in form and weight.

1B 23B : Radiator ducts

It is authorized:

- to add protection mat into the radiator ducts. Blanking is allowed to regulate the water temperature.
- to install gaskets between the air ducts and the body and between the air ducts and the radiators to eliminate air leaks.

2B 4B : Water radiator support

It is authorized to fix the supports with nuts « cages ».

8B : Rear flat bottom rod/wing

It is authorized to interpose a washer between the rod and the flat bottom to respect the compulsory position of trailing edge.

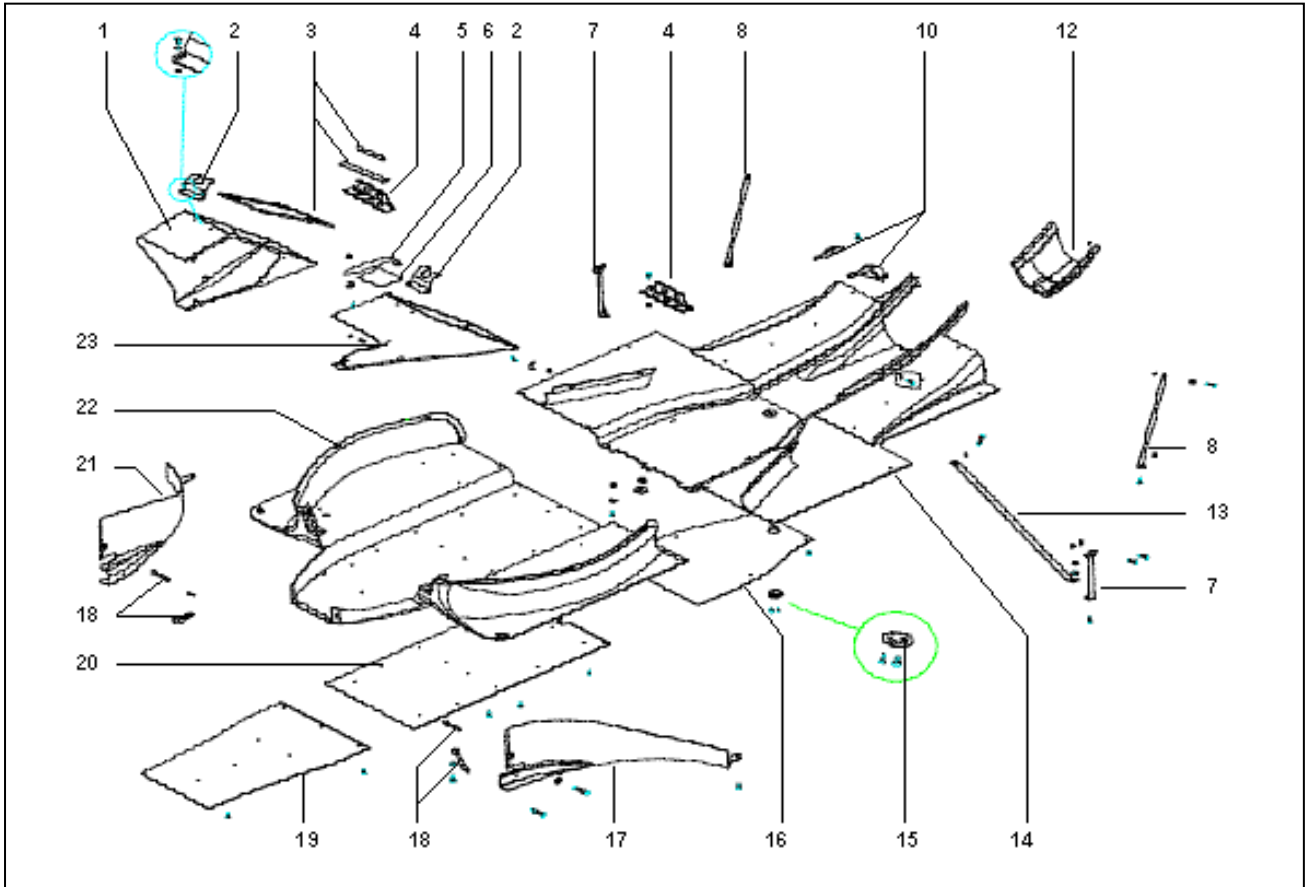
12B : Rear floor diffuser

It is authorized to fasten the rear floor diffuser with nuts « cages ».

It is allowed to drill a hole in order to have access to the inferior screw of the wing support.

NOMENCLATURE 2008 TECHNICAL REGULATIONS

UNDERFLOOR



	A	B	C	
1		X		77 11 163 108
2		X		77 11 154 390
3			X	77 11 154 832
4		X		77 11 154 826
5			X	77 11 154 401
6			X	77 11 154 833
7	X			77 11 154 115
8	X			77 11 154 827 77 11 154 828
10	X			77 11 163 116
12		X		77 11 163 099
13		X		77 11 154 809
14		X		77 11 154 804
15	X			77 11 154 389
16		X		77 11 154 825
17		X		77 11 163 092
18	X			77 11 163 094 77 11 163 095
19		X		77 11 154 808
20		X		77 11 154 807
21		X		77 11 163 093
22		X		77 11 163 097
23		X		77 11 163 107

13B : Rear flat bottom rod

It is allowed to modify the rod fixation holes in order to adjust the diffuser position to respect the 2008 regulations.

14B : Rear floor

Its set position is compulsory and is obtained using a ruler. The control procedure is detailed in the User Manual 2008 (page 40-2).

19B : Front wooden floor

It is permitted to apply adhesive tape on the leading edges. In all cases, its only function shall be to protect the item to which it has been applied. Under no circumstances shall it be used to connect several items.

16B 19B 20B : Wooden floor

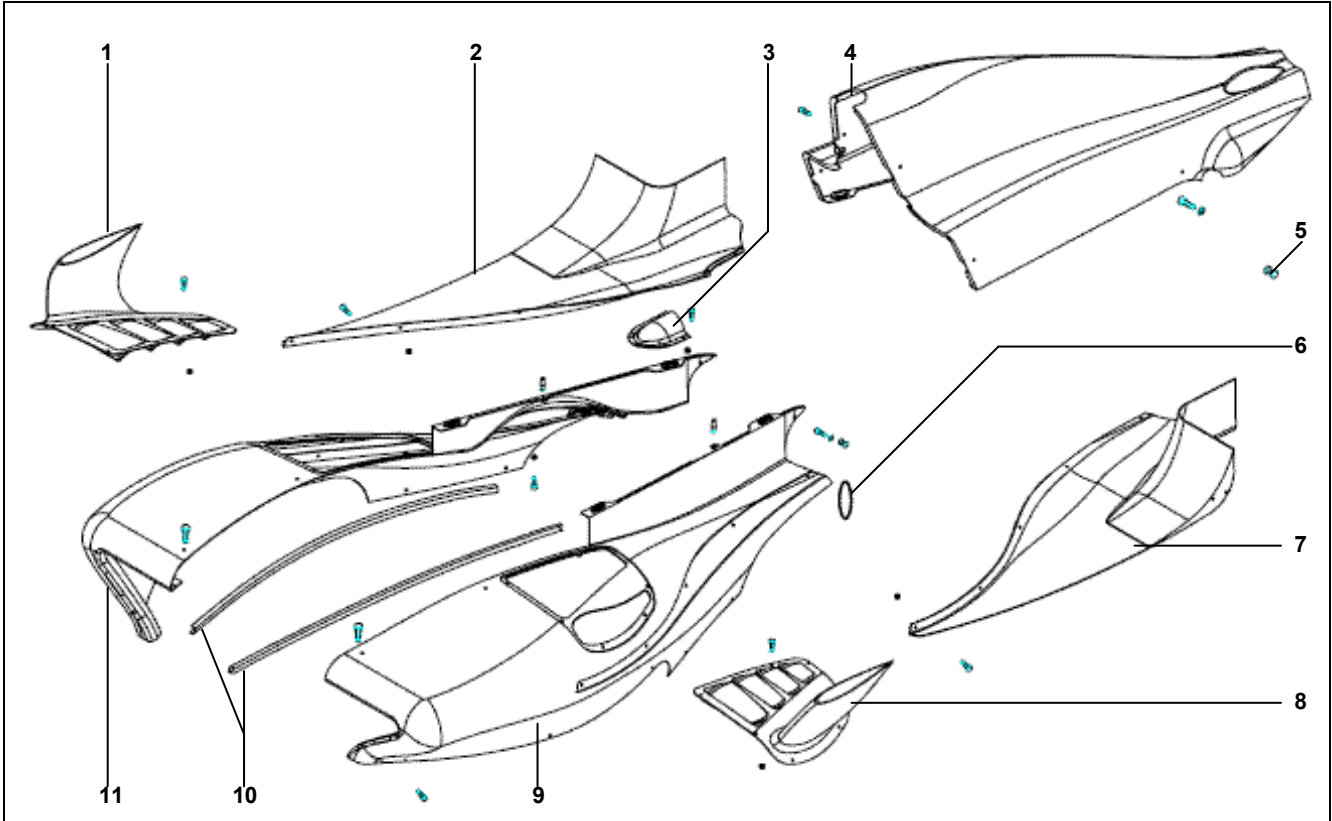
It is allowed to maintain the wooden floor with glue.

20B : Central wooden floor

The drilling of these wooden floors in accordance with the 2008 Technical Bulletin n°3 is mandatory, for Eurocup 2008 championship.

NOMENCLATURE 2008 TECHNICAL REGULATIONS

BODYWORK



	A	B	C	
1		X		77 11 163 112
2		X		77 11 163 114
3		X		77 11 163 127
4		X		77 11 154 836
5	X			77 11 154 412
6			X	77 11 154 414
7		X		77 11 163 113
8		X		77 11 163 111
9		X		77 11 163 109
10		X		77 11 154 414
11		X		77 11 163 110

1B to 4B, 7B to 9B, 11B: Bodywork items

It is allowed:

- to repair without change in shape and weight.
- to apply adhesive tape on the fixings of the bodywork items. Its only function shall be to block the fixings. Under no circumstances shall it be used to connect several bodywork items.
- to stick a thermal protection, of aluminium film type only, on the inside surface of these items.

1B 8B : Chimneys

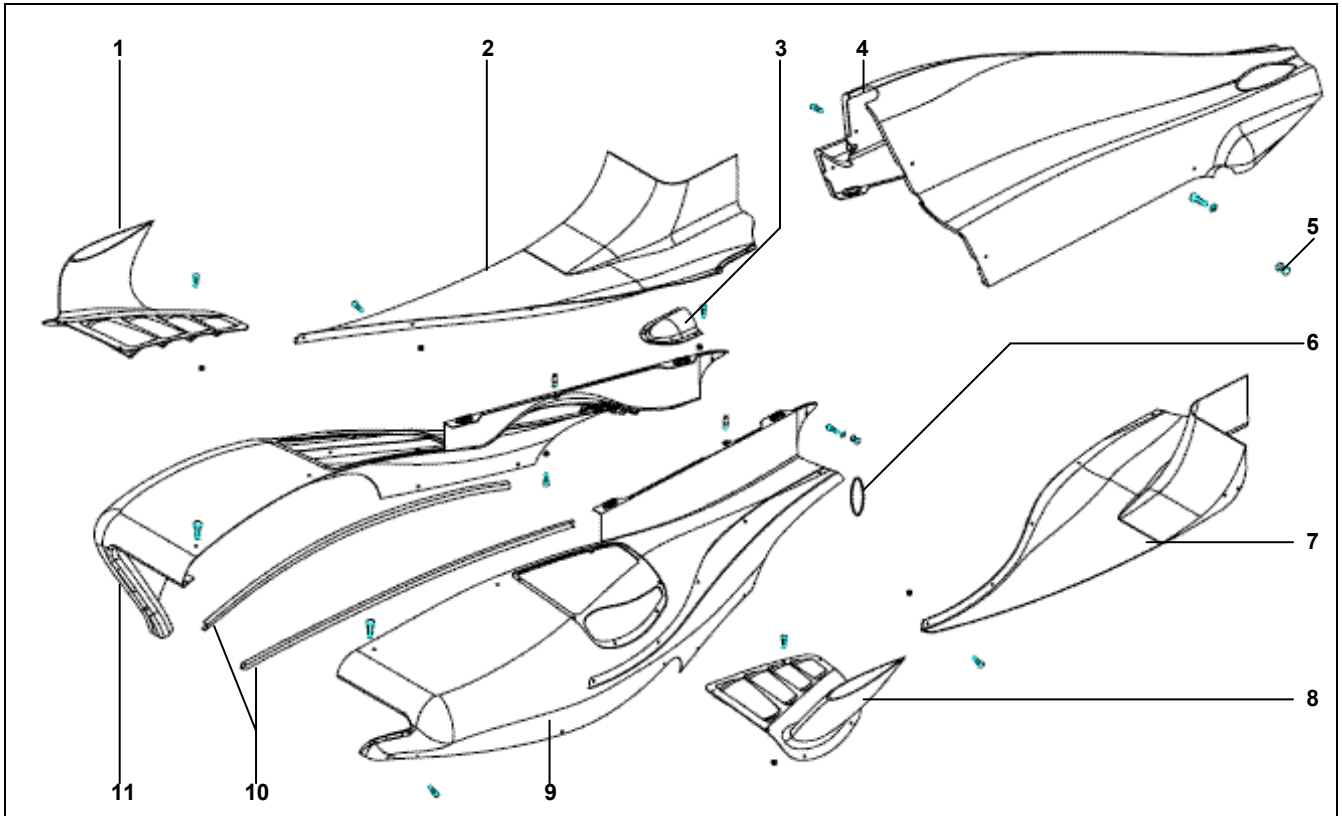
It is authorized to blank the exit of the chimneys with adhesive tape. The colour of the tape must be similar to the one of the chimneys.

It is allowed to get rid of the sharpness of the superior rear corner by creating a radius of maximum 5 mm.

NOMENCLATURE

2008 TECHNICAL REGULATIONS

BODYWORK



	A	B	C	
1		X		77 11 163 112
2		X		77 11 163 114
3		X		77 11 163 127
4		X		77 11 154 836
5	X			77 11 154 412
6			X	77 11 154 414
7		X		77 11 163 113
8		X		77 11 163 111
9		X		77 11 163 109
10		X		77 11 154 414
11		X		77 11 163 110

4B : Engine cover

The original fixations can be replaced by Dzus fixations.
Ref : body : EHF5-70 spring : S5-300

9B 11B : Sidepods

It is allowed to put some tape in the entry of the sidepods to regulate the water temp. The colour of the tape must be similar to the one of the sidepod.

4B 9B 11B : Engine cover and sidepods

It is authorized to set up a washer with the engine cover and the sidepods fastening screws.

The discs must respect the following characteristics:

Maximum external diameter : 15 mm

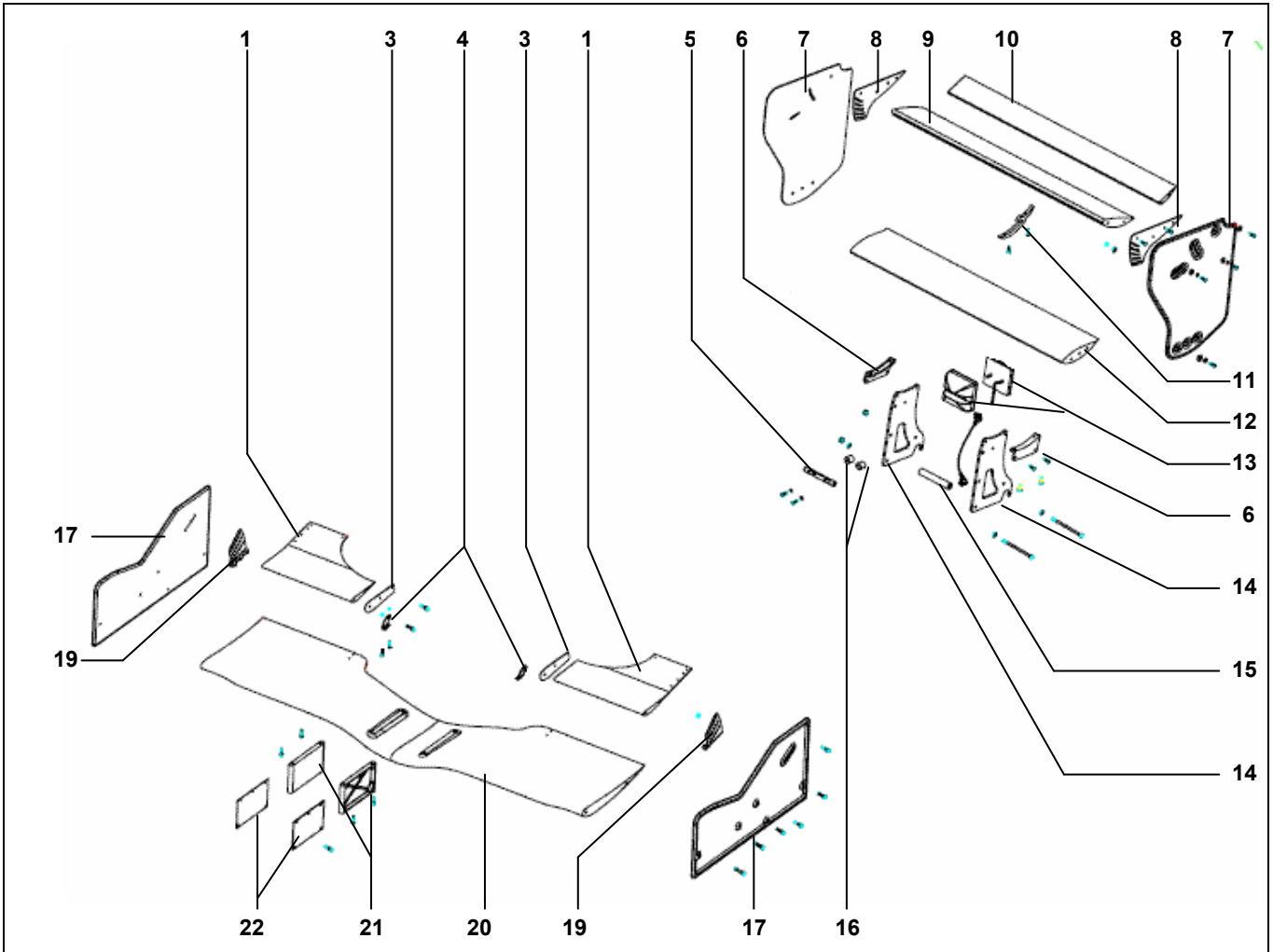
Maximum thickness : 1 mm

10B : Sidepod joints

It is authorized to put protective and sealant joints between the sidepods and the bodywork.

NOMENCLATURE 2008 TECHNICAL REGULATIONS

FRONT AND REAR WINGS



	A	B	C	
1		X		77 11 163 085 77 11 163 084
3	X			77 11 163 083
4	X			77 11 163 081 77 11 163 082
5	X			77 11 154 447
6	X			77 11 154 450 77 11 154 451
7	X			77 11 163 120 77 11 163 121
8		X		77 11 154 427 77 11 154 428
9		X		77 11 154 433
10		X		77 11 154 426
11		X		77 11 154 445

1B 9B 10B 12B 20B : Wings

It is permitted to apply adhesive tape on the leading and trailing edges. In all cases, its only function shall be to protect the item to which it has been applied. Under no circumstances shall it be used to connect several items.

8B : Rear wing setup plate

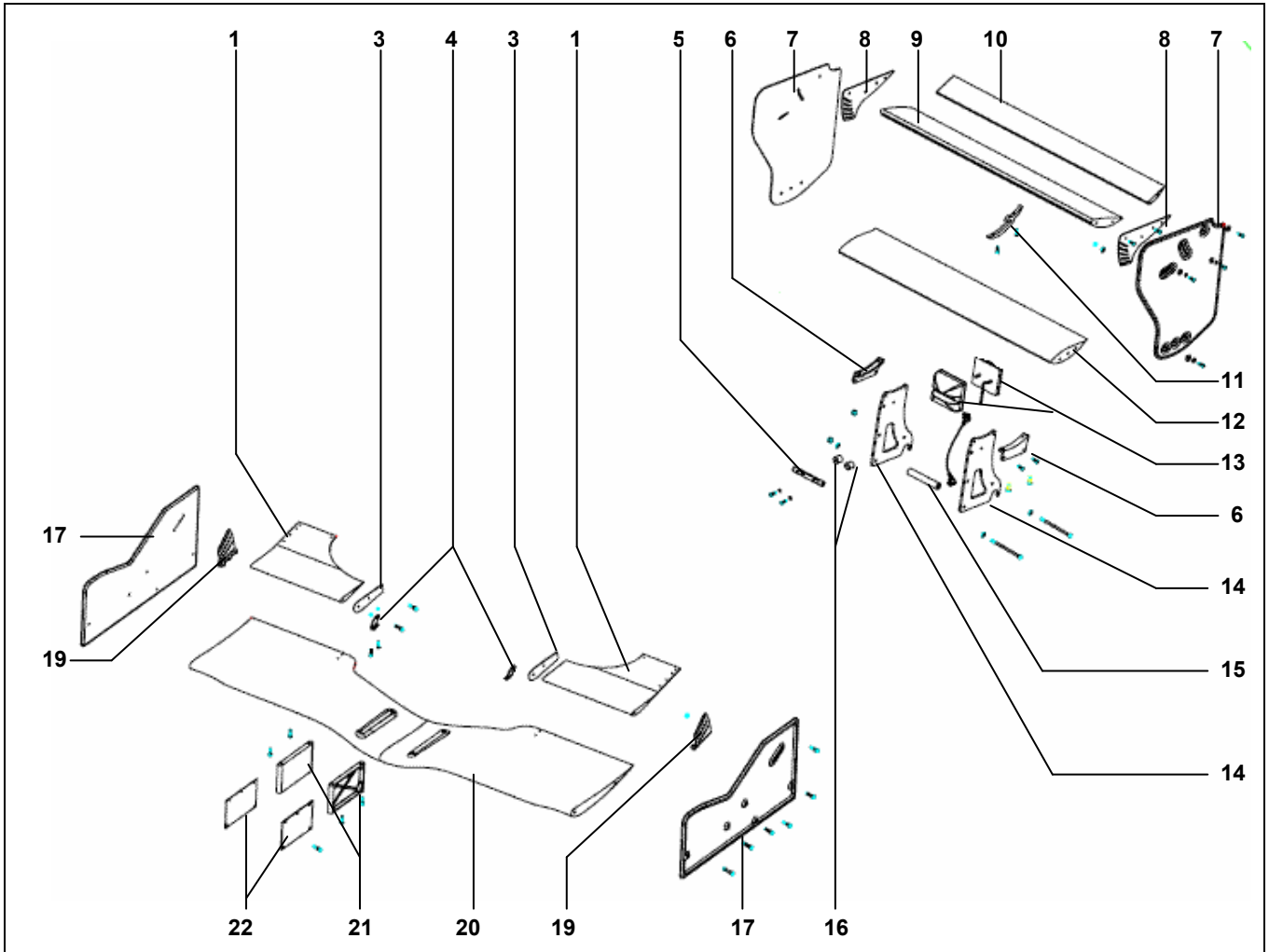
It is forbidden to use the last setup line (positions E1 to E6).

11B : Wing spacer

It is allowed to improve the fixation of the wing spacer.

**NOMENCLATURE
2008 TECHNICAL REGULATIONS**

FRONT AND REAR WINGS



	A	B	C	
12		X		77 11 154 429
13	X			77 11 154 430
14	X			77 11 154 432
15	X			77 11 154 431
16			X	77 11 154 371
17	X			77 11 163 077 77 11 163 078
19	X			77 11 163 087 77 11 163 086
20		X		77 11 163 076
21		X		77 11 163 072
22	X			77 11 163 074

20B : Main wing

It is allowed:

- to repair the wing following the User Manual 2008 (page 40-3)
- to enlarge toward the inside the two holes on the main wing to have a better mounting of the flap bracket.

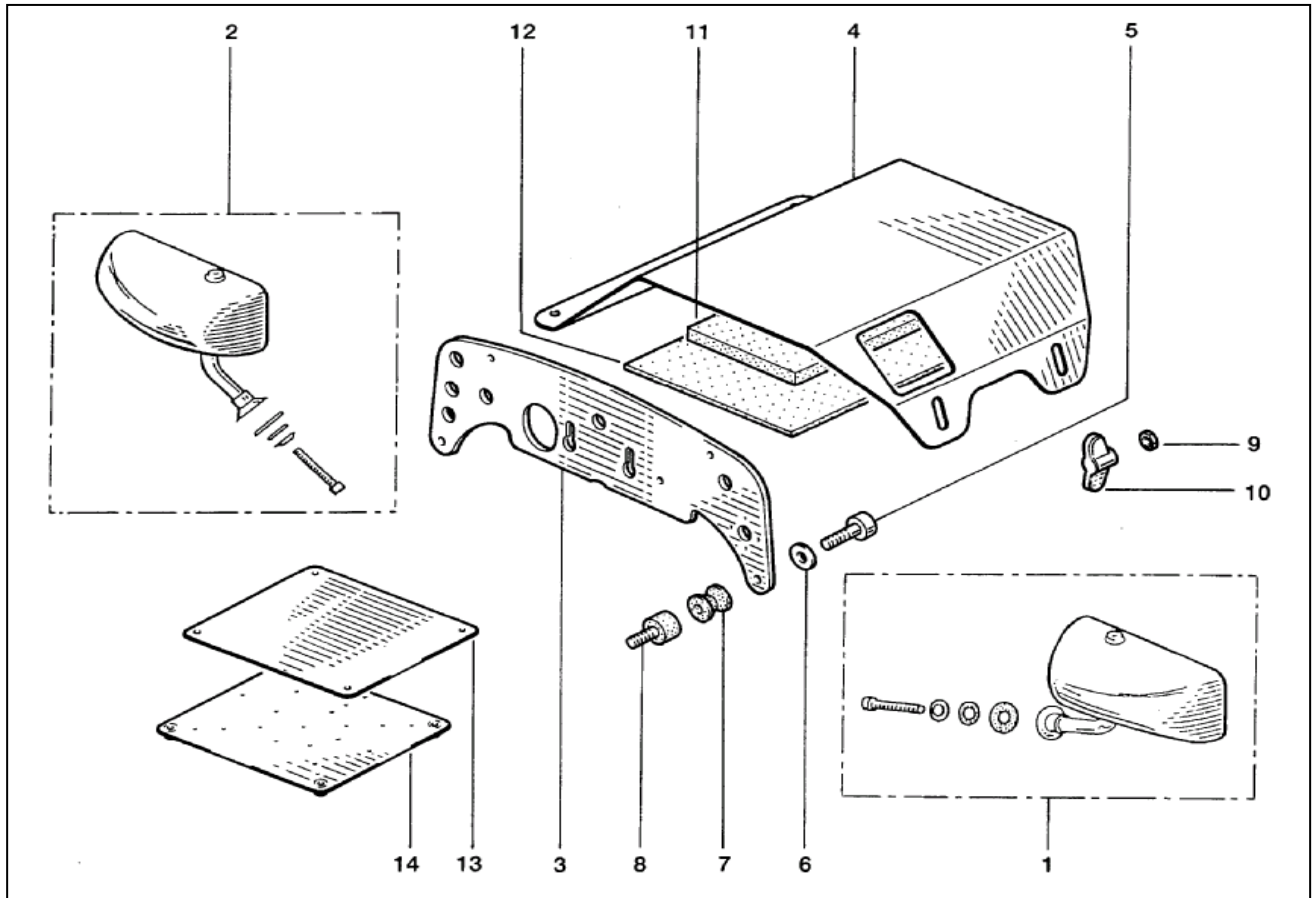
However, the wing must be replaced if the erosion is too much important (see User Manuel 2008 page 40-3).

21B : Front wing support

It is allowed to fit these supports either plane face to the exterior side or to the interior side.

NOMENCLATURE 2008 TECHNICAL REGULATIONS

REAR MIRRORS, BALLAST AND BATTERY COVER



	A	B	C	
1		X		77 11 154 134 77 11 154 281
2		X		77 11 154 168 77 11 154 280
3	X			77 11 154 374
4	X			77 11 154 375
5			X	77 11 154 885
6			X	77 11 154 787
7	X			77 11 154 376
8	X			77 11 154 377
9			X	77 11 154 905
10	X			77 11 154 378
11			X	77 11 154 379
12			X	77 11 154 380
13		X		77 11 154 381 77 11 154 382

1B 2B : Rear-view mirrors

Two types of right mirrors are allowed:
ref. **77 11 154 168** and **77 11 154 280**
Two types of left mirrors are allowed:
ref. **77 11 154 134** and **77 11 154 281**

It is allowed to fit concave or convex mirrors.

13B : Ballast

The location of the ballast and its fastening system are specified in the User Manual 2008 (page 40-4).

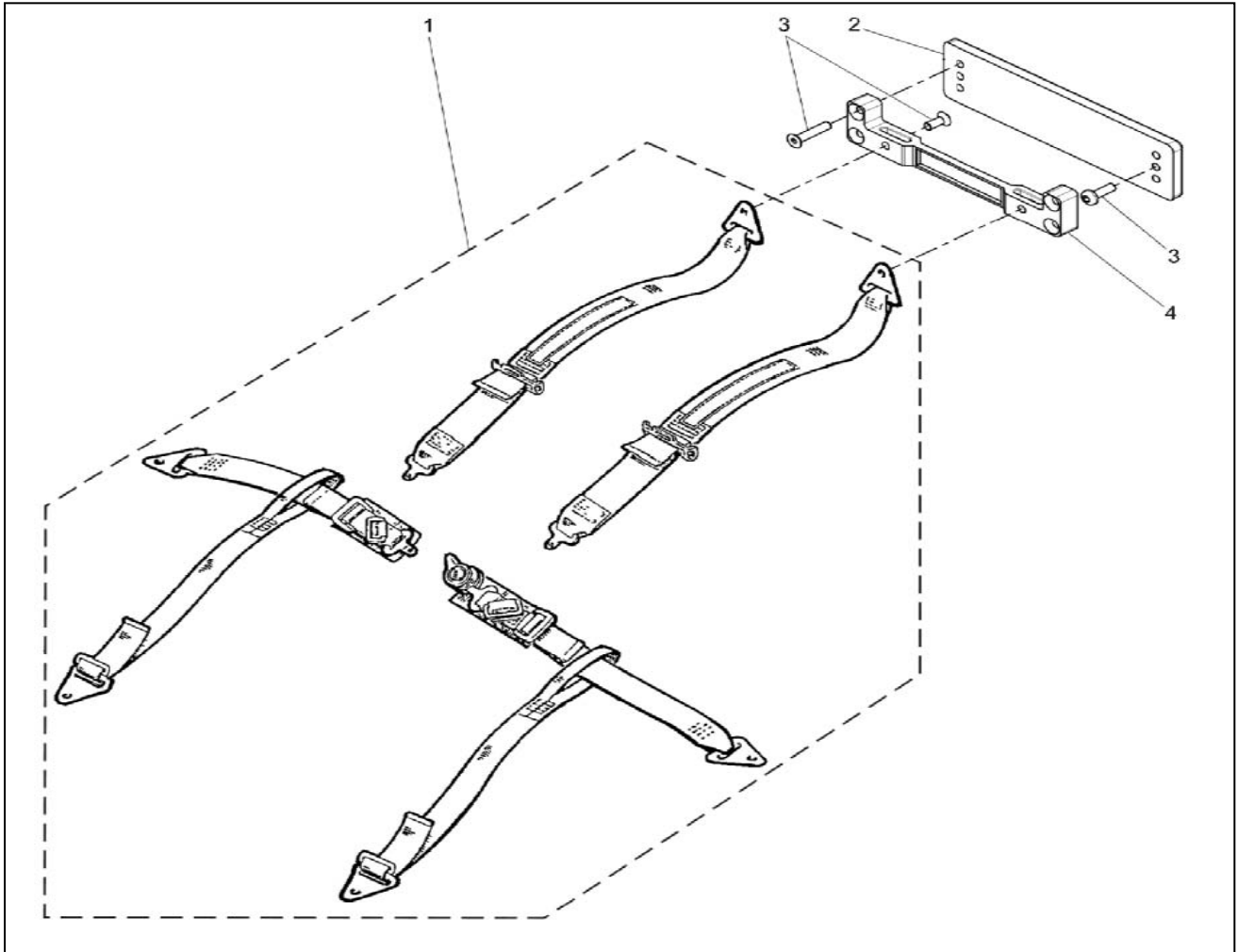
The material of the ballast is free.

If the car has a ballast to bring it up to the regulation weight, it must be sealed by the scrutineers in charge of the FR2.0 when the preliminary technical inspections are carried out.

The condition of the seals and their presence are the responsibility of the person competing.

NOMENCLATURE 2008 TECHNICAL REGULATIONS

SAFETY BELTS



	A	B	C	
1		X		77 11 154 931
2	X			77 11 154 981
3			X	77 11 154 986
			X	77 11 154 987
			X	77 11 154 988
4		X		77 11 154 981

1B : Safety belts

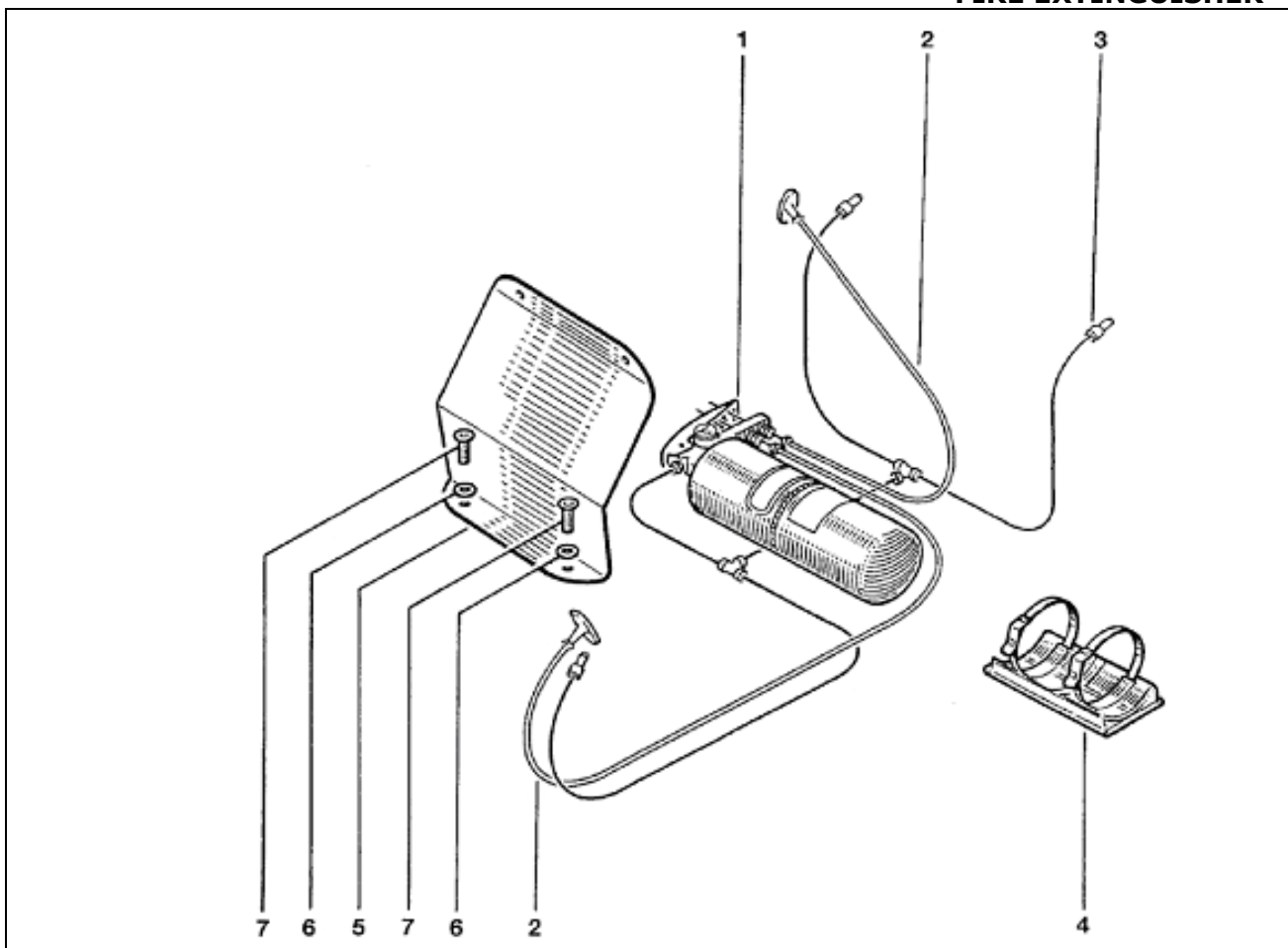
In case of violent crash, the safety belts are slack and loose the ability to absorb energy in case of another crash. Therefore, after any violent crash the safety belts must compulsorily be replaced.

4B : Front HANS harness support

It is allowed to return this part only in order to raise the fixations for the taller drivers.

NOMENCLATURE 2008 TECHNICAL REGULATIONS

FIRE EXTINGUISHER



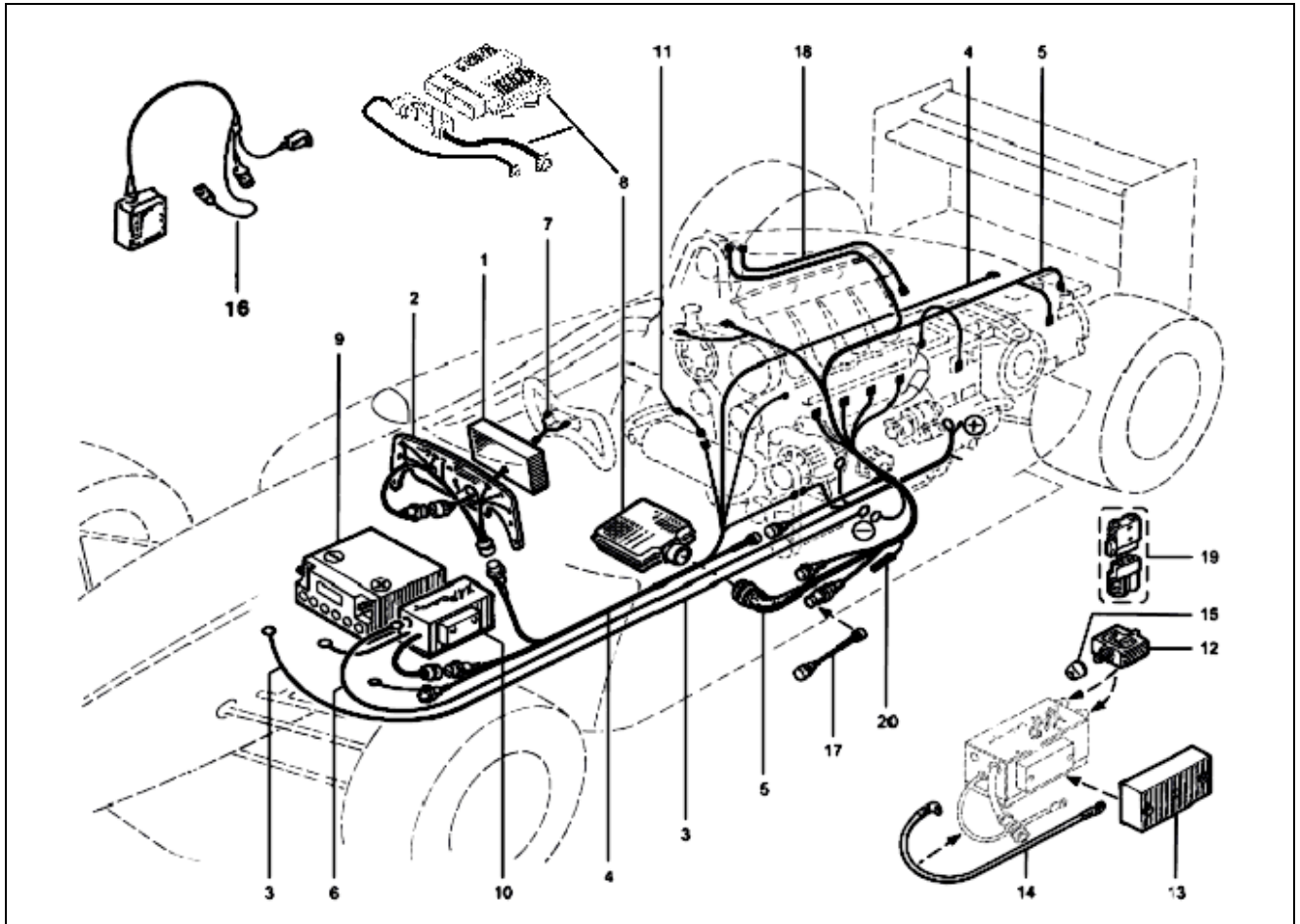
	A	B	C	
1		X		77 11 154 131
2	X			77 11 154 322
3	X			77 11 154 131
4	X			77 11 154 131
5	X			77 11 154 633
6			X	77 11 154 901
7			X	77 11 154 756

1B : Extinguisher

The extinguisher must be operational and must respect the conditions of article 14 in the 2008 technical regulations of FR2.0.

NOMENCLATURE 2008 TECHNICAL REGULATIONS

ELECTRICAL HARNESSSES



	A	B	C	
1	X			77 11 154 170
2	X			77 11 154 102
3	X			77 11 154 103
4		X		77 11 154 101
5		X		77 11 154 100 77 11 154 312
6	X			77 11 154 105
7	X			77 11 154 275
8		X		77 11 154 996 77 11 163 124
9		X		77 11 154 420 77 11 154 321
10	X			77 11 154 171
11	X			77 11 154 165
12	X			77 11 154 162 77 11 154 161
13	X			77 11 154 164
14	X			77 11 154 103
15			X	77 11 154 166

4B 5B 17B 18B : Wiring loom

It is allowed:

- to add one additional battery plug according to the User Manual 2008 (page 84-1).
- to fit a heat resistant wrap/sheathing to wiring loom in the engine bay.
- to fit grommets to cut-outs in the firewall and bodywork intended for the passage of cabling.

8B : Engine Control Unit

Only the ECU (MF4L or SRAE + harness) equipped with the 2005 software version is authorized.

The fitting of the ECU support is free.

9B : Battery

Two types of battery are allowed:

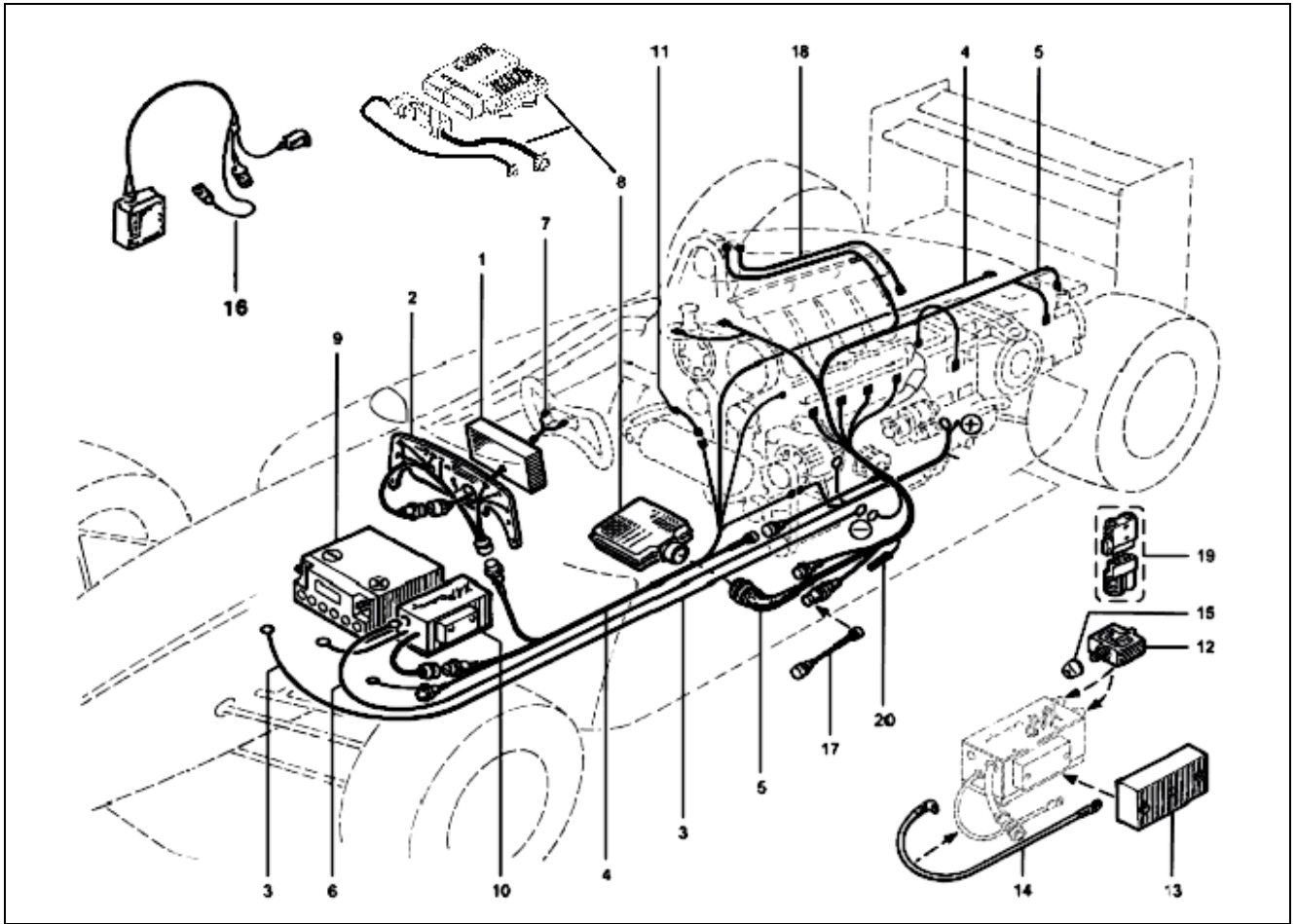
Yuasa ref : 77 11 152 420

Déka ref : 77 11 154 321

It is authorized to improve the fastening of the battery in its location envisaged of origin.

**NOMENCLATURE
2008 TECHNICAL REGULATIONS**

ELECTRICAL HARNESSES



	A	B	C	
16		X		
17		X		77 11 154 299
18		X		77 11 154 855
19			X	60 00 009 986
20	X			77 11 154 279

16B : Data acquisition system

Using a data acquisition system is not mandatory.

In case of use of such a system, only 5 AIM types are allowed (Drack, Evo 3 with 4, 8, or 13 channels and Evo 3 Pro).

The following acquisitions are allowed: engine parameters, wheel speed (up to 4), damper and roll displacement, brake pressure, steering angle, GPS signal, accelerometers and load measurement.

The sensors and their mountings are free of choice.